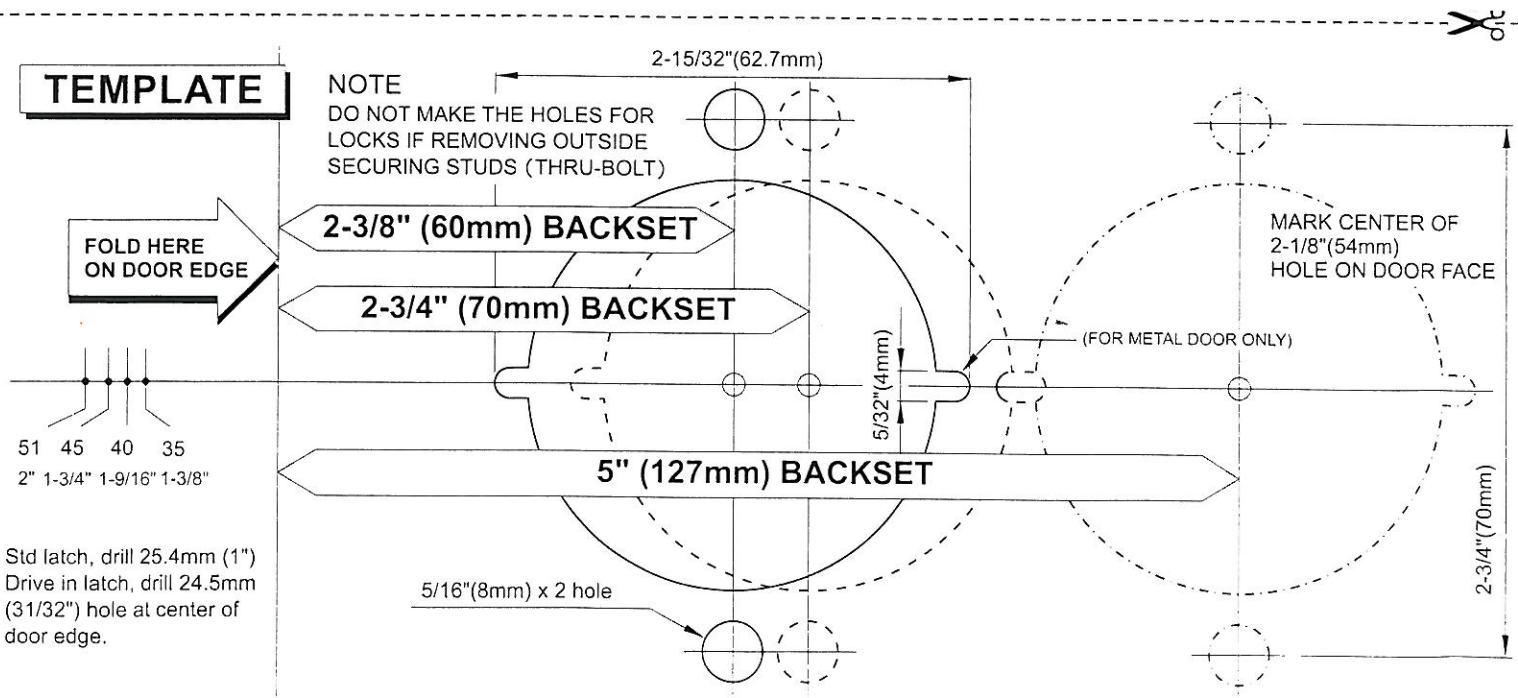


LC1200
LC2400



Std latch, drill 25.4mm (1")
Drive in latch, drill 24.5mm
(31/32") hole at center of
door edge.