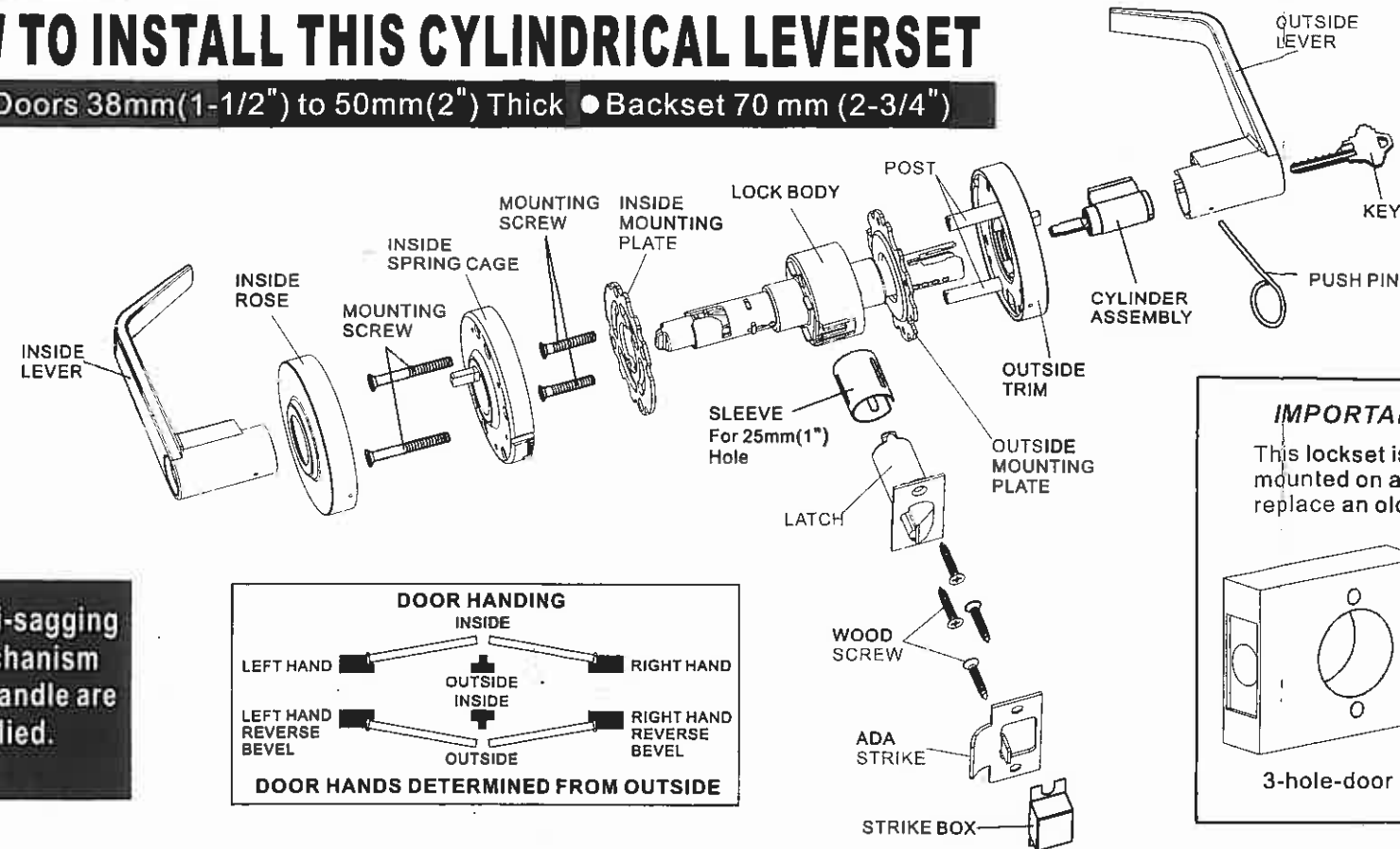
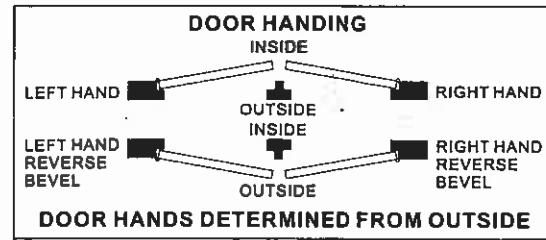


HOW TO INSTALL THIS CYLINDRICAL LEVERSET

● Fit Doors 38mm(1-1/2") to 50mm(2") Thick ● Backset 70 mm (2-3/4")



Anti-sagging mechanism of handle are applied.



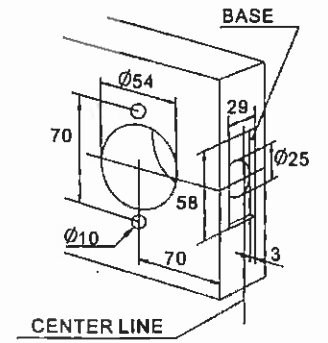
IMPORTANT! READ FIRST

This lockset is designed to be mounted on a new 3-hole-door or replace an old lock on one-hole-door.

3-hole-door one-hole-door

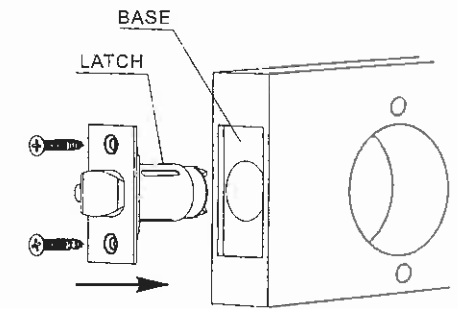
New Door Preparation

- A:** Fold template on edge of door mark site 70mm(2-3/4") of holes.
- B:** Drill a $\phi 54$ mm(2-1/8") hole and two 10mm(3/8") holes through door (from both sides to avoid damaging door).
- C:** Drill a $\phi 25$ mm (1") hole in door edge.
- D:** Cut out a 58x29x3mm (2-9/32"x1-1/8"x1/8") base.

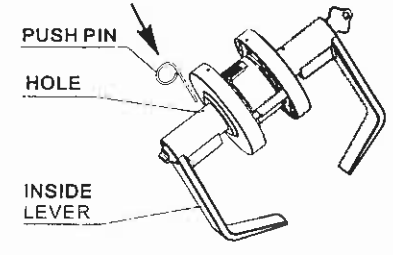


Install Latch

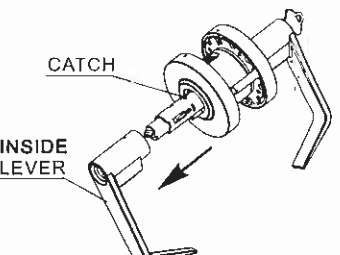
Insert latch unit and fix it with two wood screws.



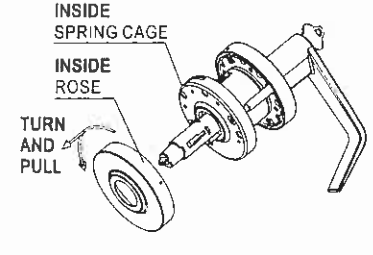
1 DISASSEMBLE INSIDE LEVER AND ROSE, ADJUST OUTSIDE MOUNTING PLATE TO SUIT DOOR THICKNESS



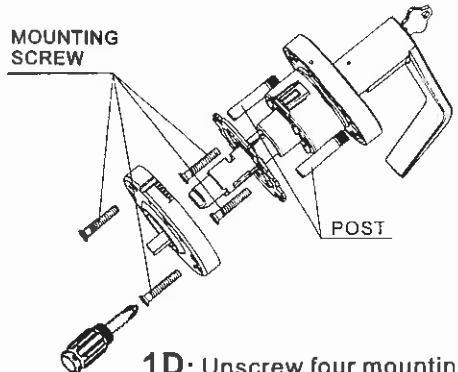
1A: Insert push pin into hole in inside lever to depress catch.



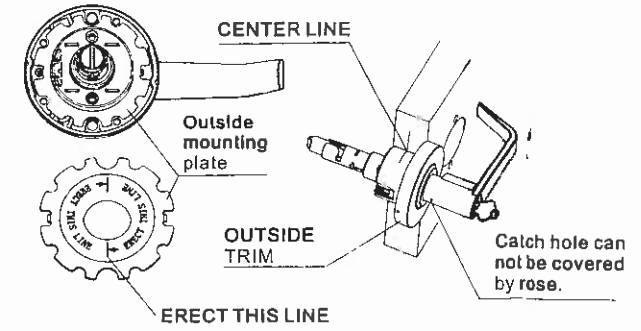
1B: Remove the inside lever from spindle.



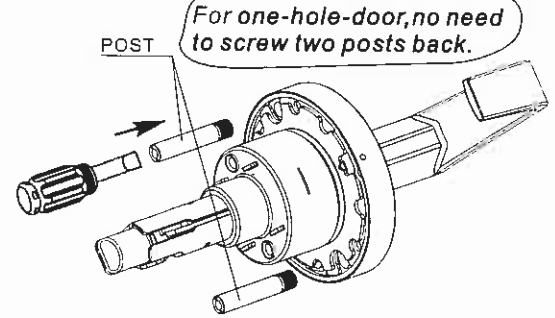
1C: Remove inside rose by turning and pulling off.



1D: Unscrew four mounting screws and two posts in lock body by screwdriver.



1E: Screw outside mounting plate according to the door thickness, make sure the lock body at both sides symmetrical.



1F: Screw two posts back for next installation (only for 3-hole-door).

2

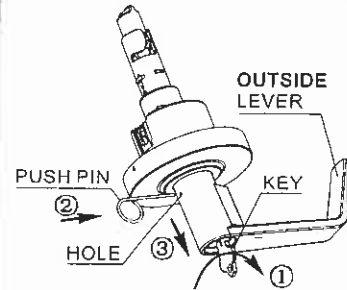
DISASSEMBLE OUTSIDE FOR ONE-HOLE DOOR INSTALLATION OR CYLINDER REPLACEMENT

one-hole-door installation

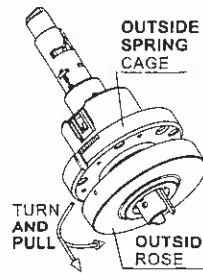
1. new lock on a new one-hole-door.
2. old lock replacement on an old one-hole-door. follow steps 2A to 2H.

3-hole-door go to step 3A directly.

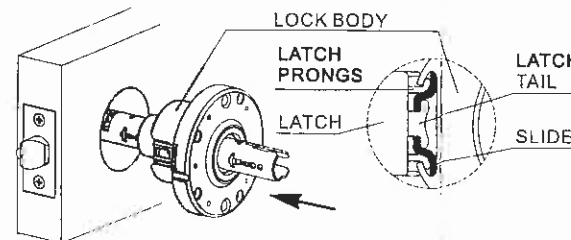
cylinder replacement refer to 2A, 2G and 2H



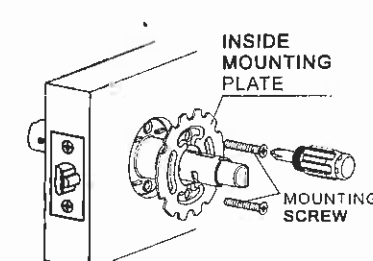
2A: Turn key 75° clockwise, insert push pin into hole in outside lever to depress catch. Remove the outside lever.



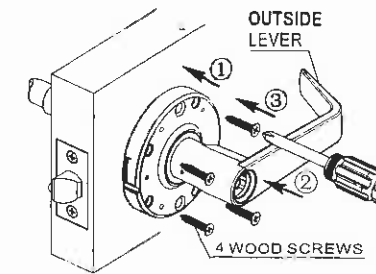
2B: Remove outside rose from outside spring cage.



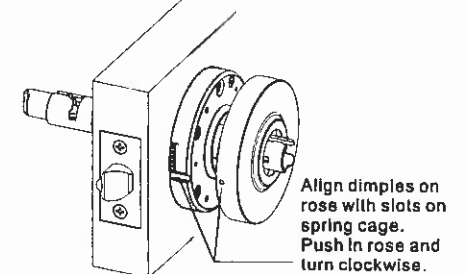
2C: Place lock body into position. Make sure that latch prongs engage chassis housing, and slide engages latch tail.



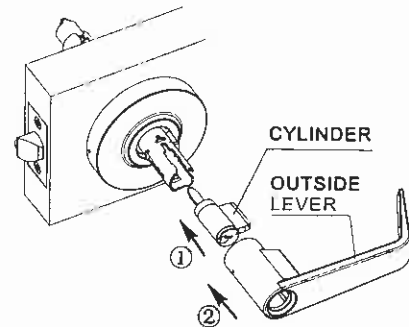
2D: Install inside mounting plate with two mounting screws.



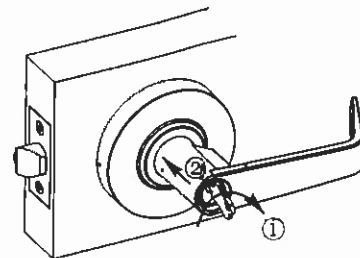
2E: Install outside spring cage and lever, check rotation of lever.



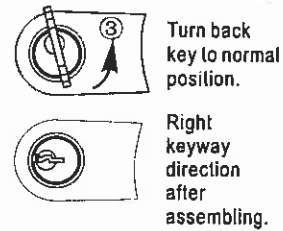
2F: Disassemble outside lever then install outside rose.



2G: Install cylinder and lever.



2H: Turn key 90° clockwise and push the lever into the maximum extent; rewind key.

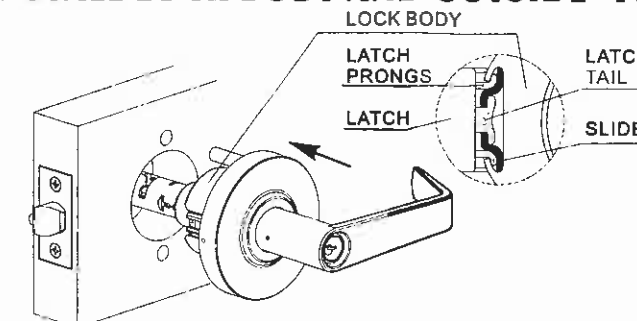


All special steps for one-hole-door are completed. Go to step 4A for subsequent installation steps.

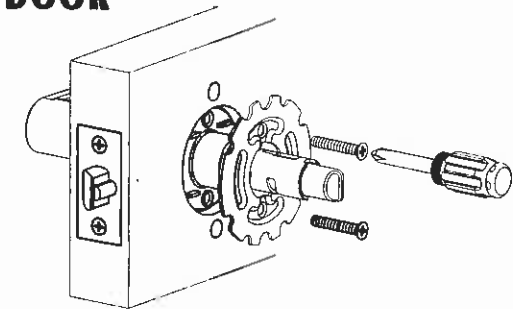
3

Step 3A to 3B is for 3-hole-door installation. For one-hole-door skip 3A and 3B, go to step 4A.

INSTALL LOCK BODY AND OUTSIDE TO DOOR



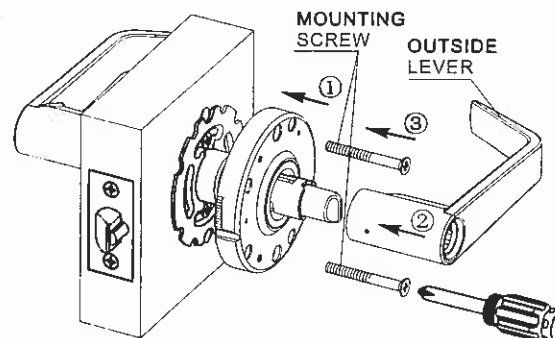
3A: Place lock body into position. Make sure that latch prongs engage chassis housing, and slide engages latch tail.



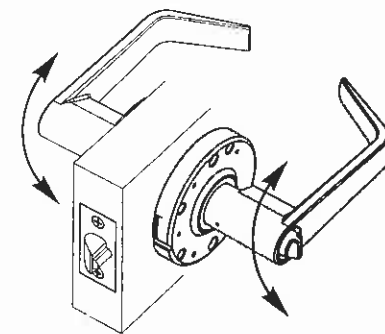
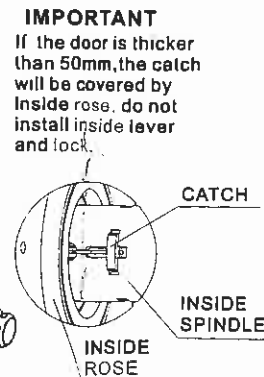
3B: Install inside mounting plate with two mounting screws.

4

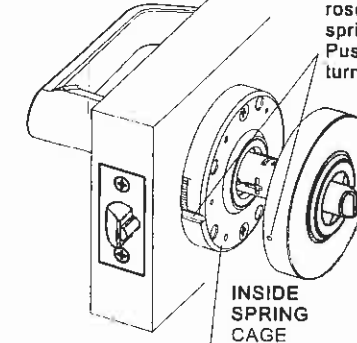
INSTALL INSIDE



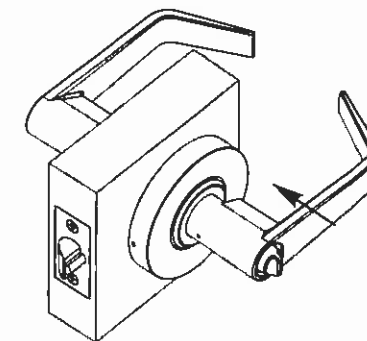
4A: Fix inside spring cage and inside lever (for one-hole-door, use 4 wood screws instead of 2 mounting screws).



4B: Check if the rotation is smooth. Adjust the radial clearance between inside spring cage and inside lever.



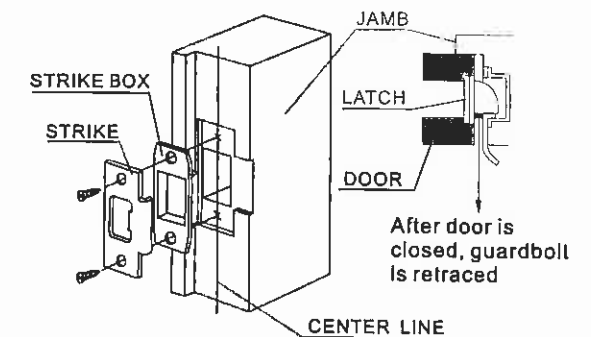
4C: Fix inside rose and make sure inside rose and inside spring cage are tightened.



4D: Slide lever onto spindle. Push lever completely into place. (Pull on lever to make sure that catch is fully engaged).

5

INSTALL STRIKE



After door is closed, guardball is retracted