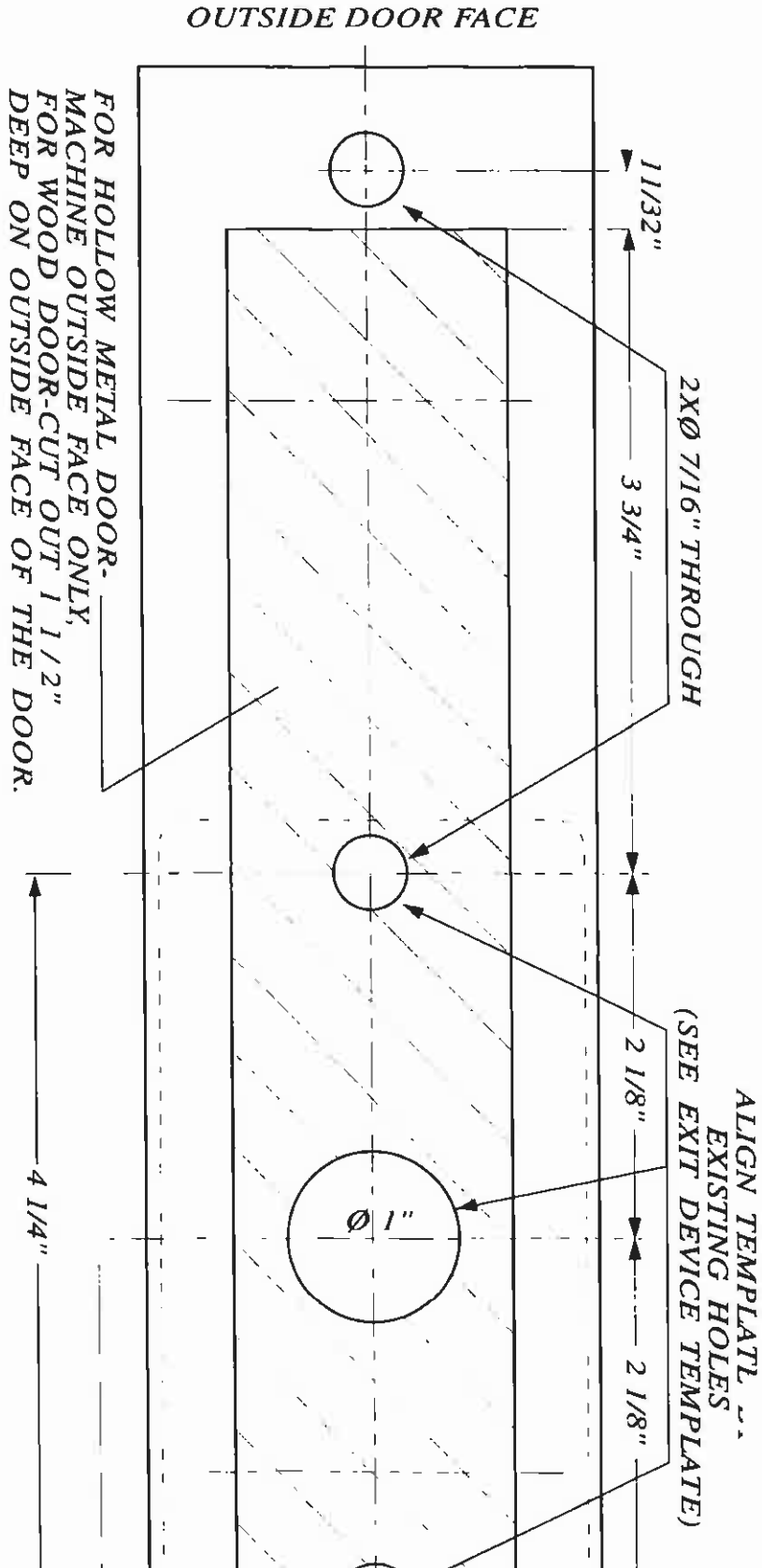
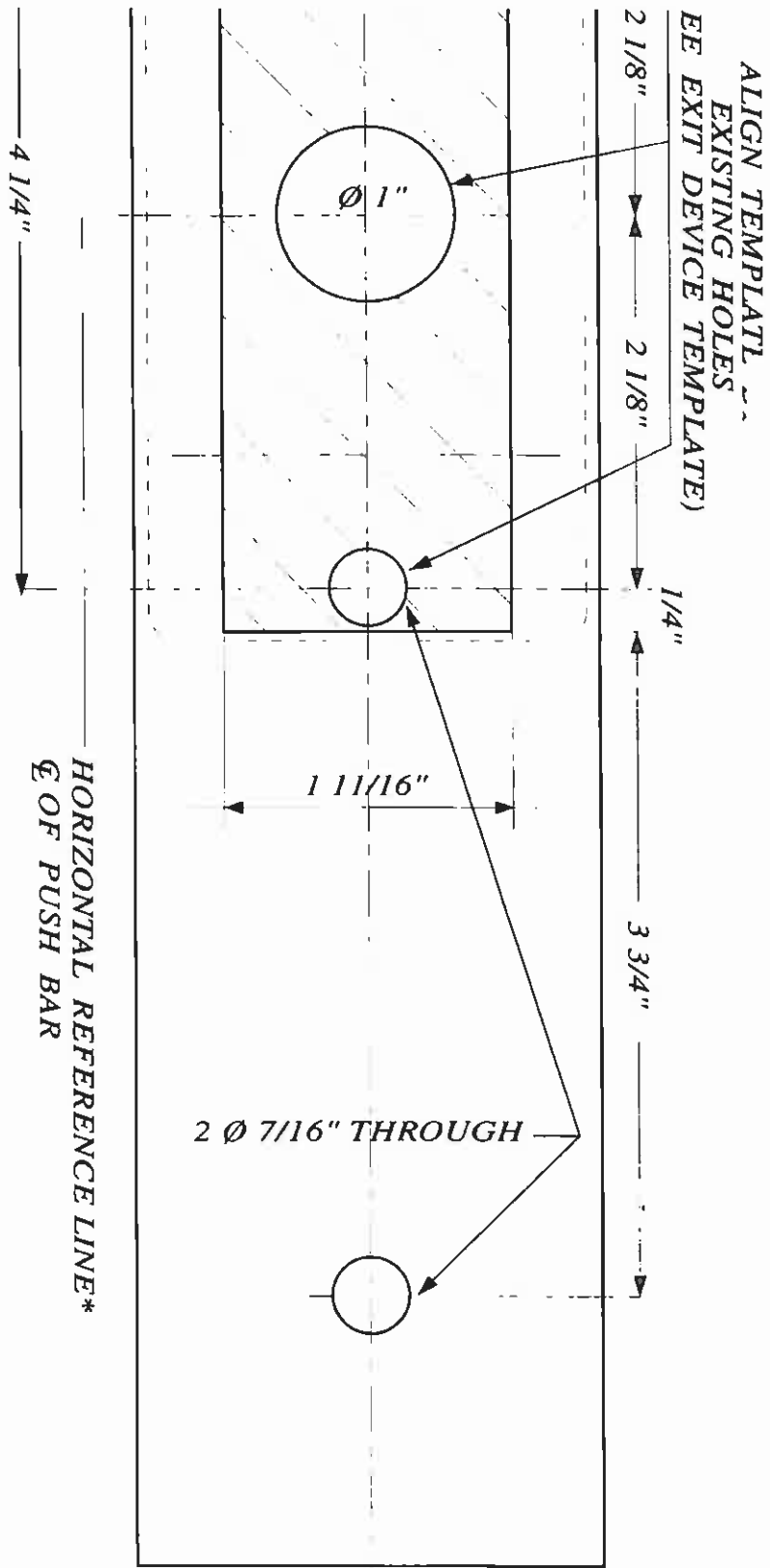


**TEMPLATE FOR
 EXT700 THUMBPIECE TRIM
 USED WITH EX3000, FEX3000
 EXV3300, FEXV3300 EXIT DEVICE.
 FUNCTIONING: ENTRANCE STOREROOM
 PASSAGE & DUMMY**



Check all dimensions on template to ensure proper printing scale.



VERTICAL REFERENCE LINE
Ø OF CENTER CHASSIS*

*SEE INSTRUCTION SHEET FOR
HORIZONTAL AND VERTICAL
REFERENCE LINE LOCATION.

Check all dimensions on template to ensure proper printing scale.