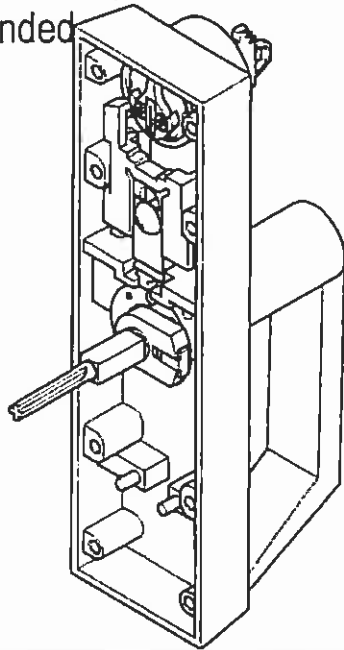


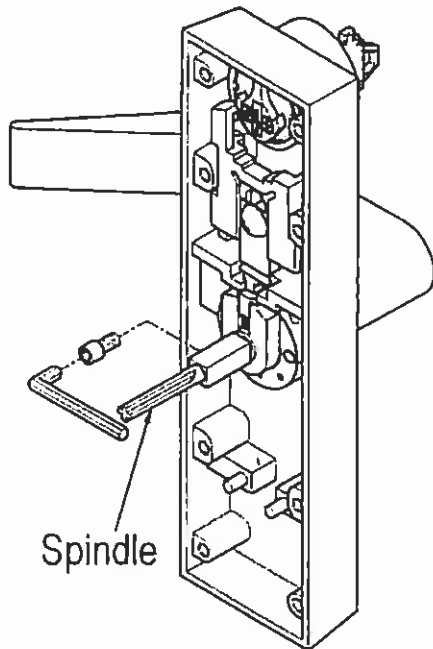
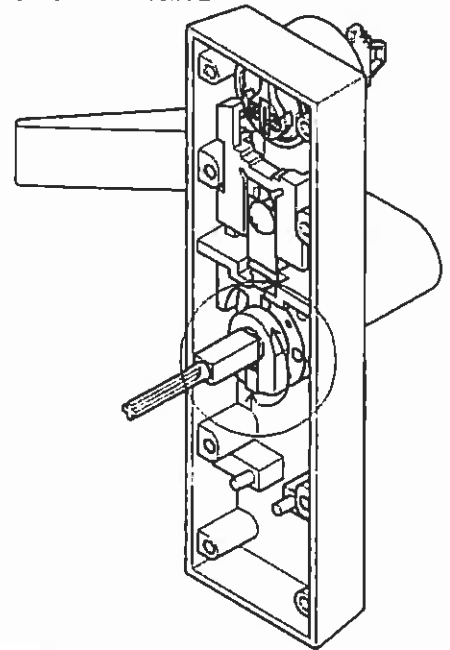
ESCUTCHEON Lever Trim

Instructions for changing hand of lever RHR(Reverse

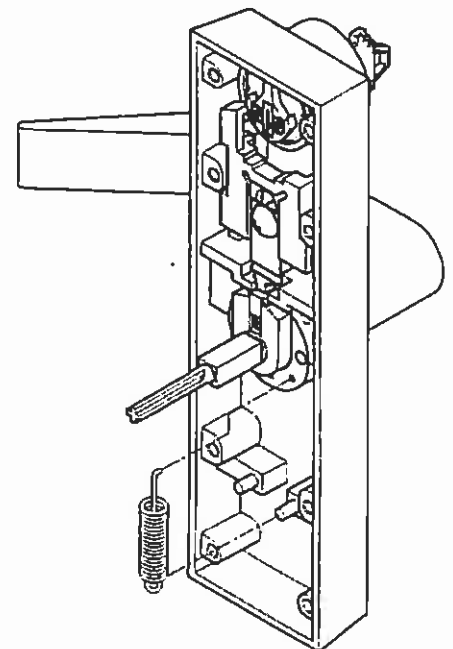
1. Lever Trim shipped and supplied with lever positioned neutral, Non Handed



2. Rotate lever handle to desired hand



4. Fasten stop screw on the left side of spindle, using hex wrench.



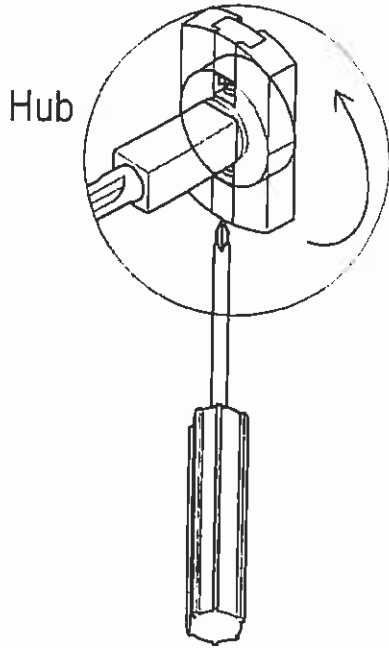
5. Mount the return spring on opposite side of stop screw.

Instructions for replacing cylinder

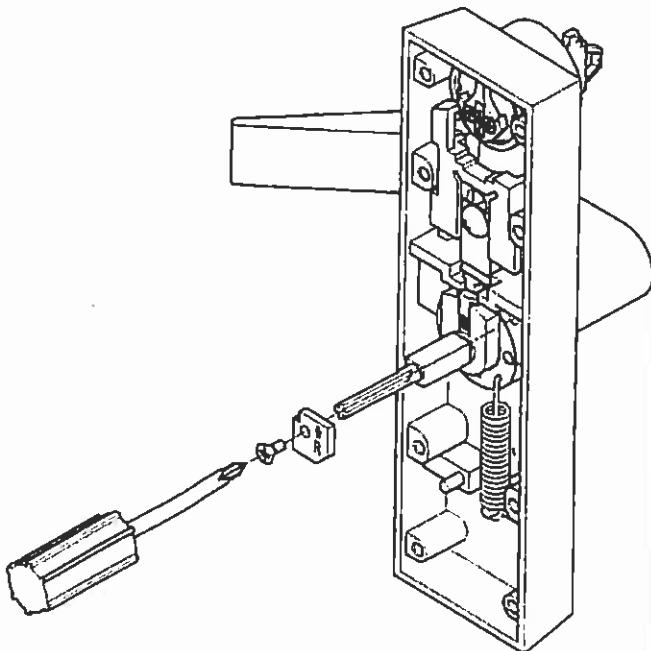
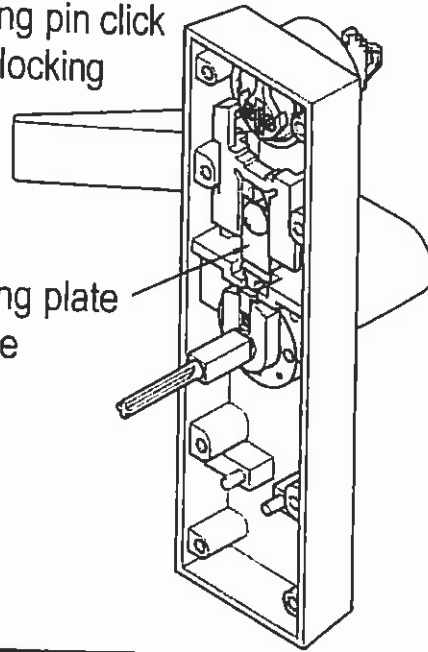
1. With locking plate in down position, unscrew cyl nut and remove the cyl and ring
2. Replace cyl by reversing above procedure. Make sure that cyl cam points up and

Steps for LHR)

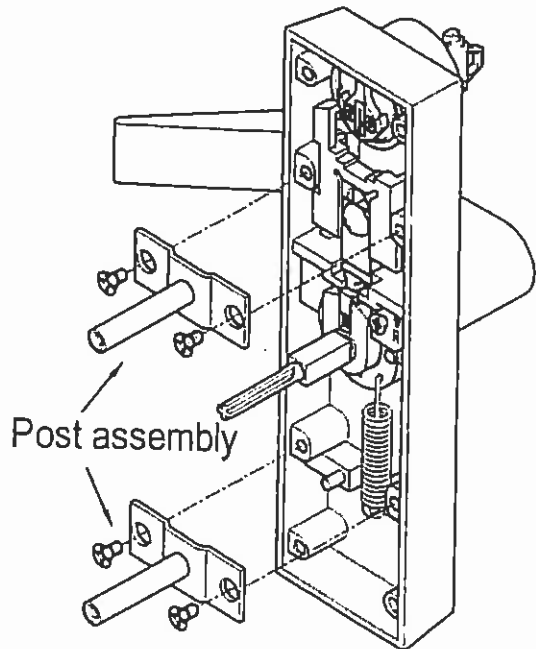
3. Depress & push in the spring loaded locking pin in the "up" position to rotate hub. Make sure spring loaded locking pin click in place & is in line with locking plate tongue to operate



Locking plate tongue

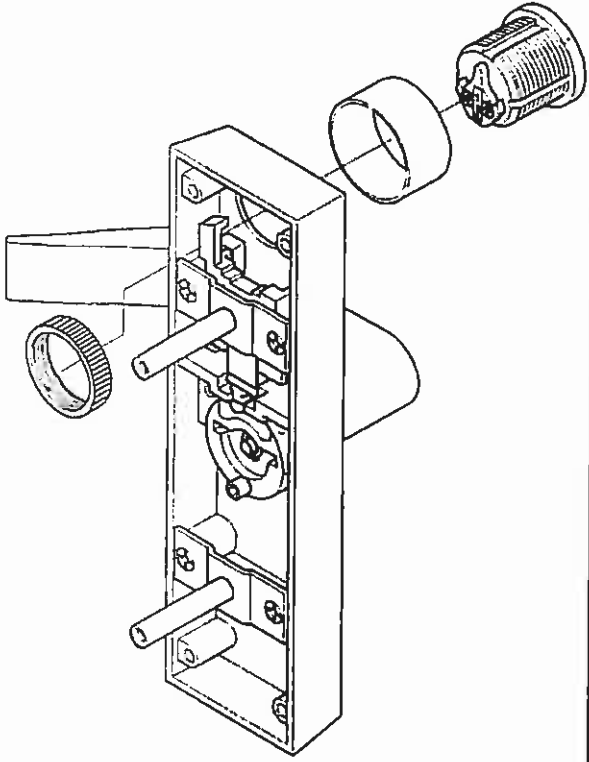
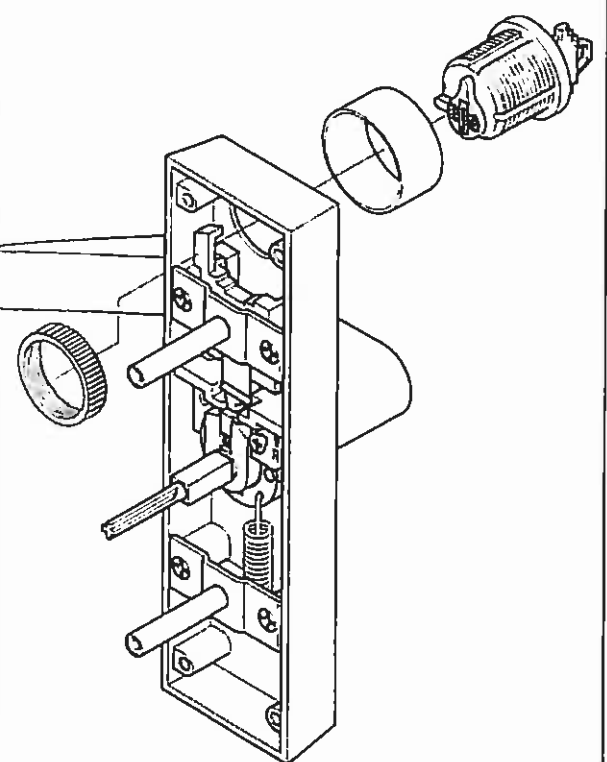


6. Fasten guide stop plate to case at the same side of return spring.



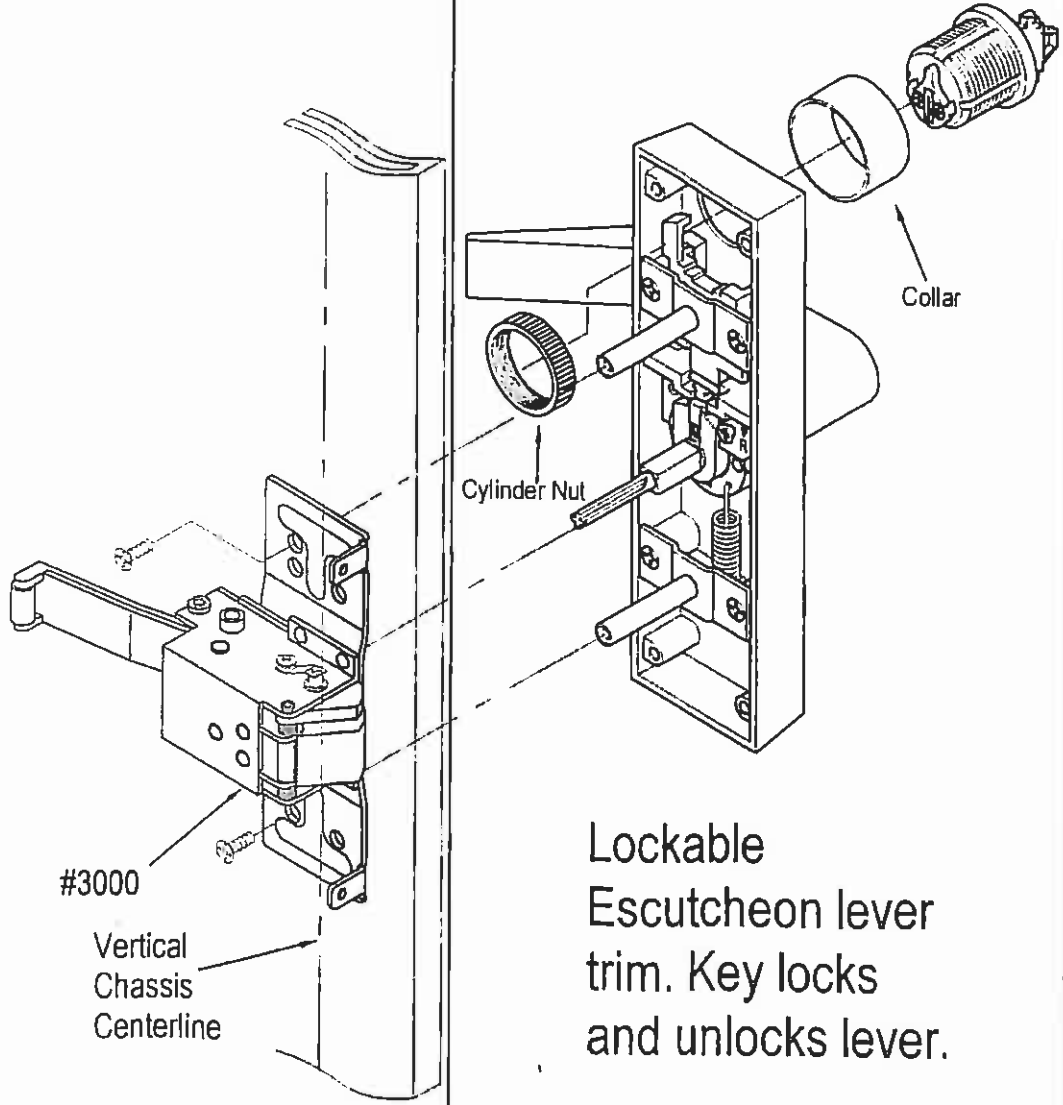
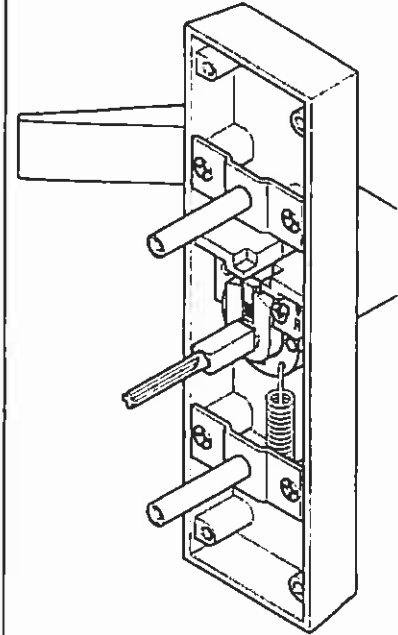
7. Install top and bottom "post assembly plate".

3300 Series Rim and Vertical Rod Exit Device

EXES350	EXES380
 <p data-bbox="370 1066 732 1247">Pull trim only. Used with dogged down device.</p>	 <p data-bbox="1003 1087 1252 1268">Key Unlocks Escutcheon Lever</p>
<p data-bbox="370 1409 651 1556">10 function Dummy</p>	<p data-bbox="1040 1409 1321 1556">04 function Storeroom</p>
<p data-bbox="370 1570 639 1808">Attach the collar and dummy cyl to the esc case with mortise nut, attach esc to door thru bolting (4) screws to the chasis</p>	<p data-bbox="1036 1570 1321 1850">Attach the collar and mortise cyl to the esc case with mortise nut, attach case to door thru bolting (4) screws to the chasis, aligning spindle to hub</p>

INSTRUCTIONS FOR EXES300

For EX3000, FEX3000, EXV3300, FE

EXES300	EXES310
 <p>Lockable Escutcheon lever trim. Key locks and unlocks lever.</p>	 <p>No cylinder, trim always operable.</p>
<p>13 function Entrance</p>	<p>15 function Passage</p>
<p>Attach the collar and mortise cyl to the esc case with mortise nut, attach case to door thru bolting (4) screws to the chassis, aligning spindle to hub</p>	<p>Attach Esc case to door thru bolting the (4) screws to the chassis, aligning spindle to hub of the Chasis</p>