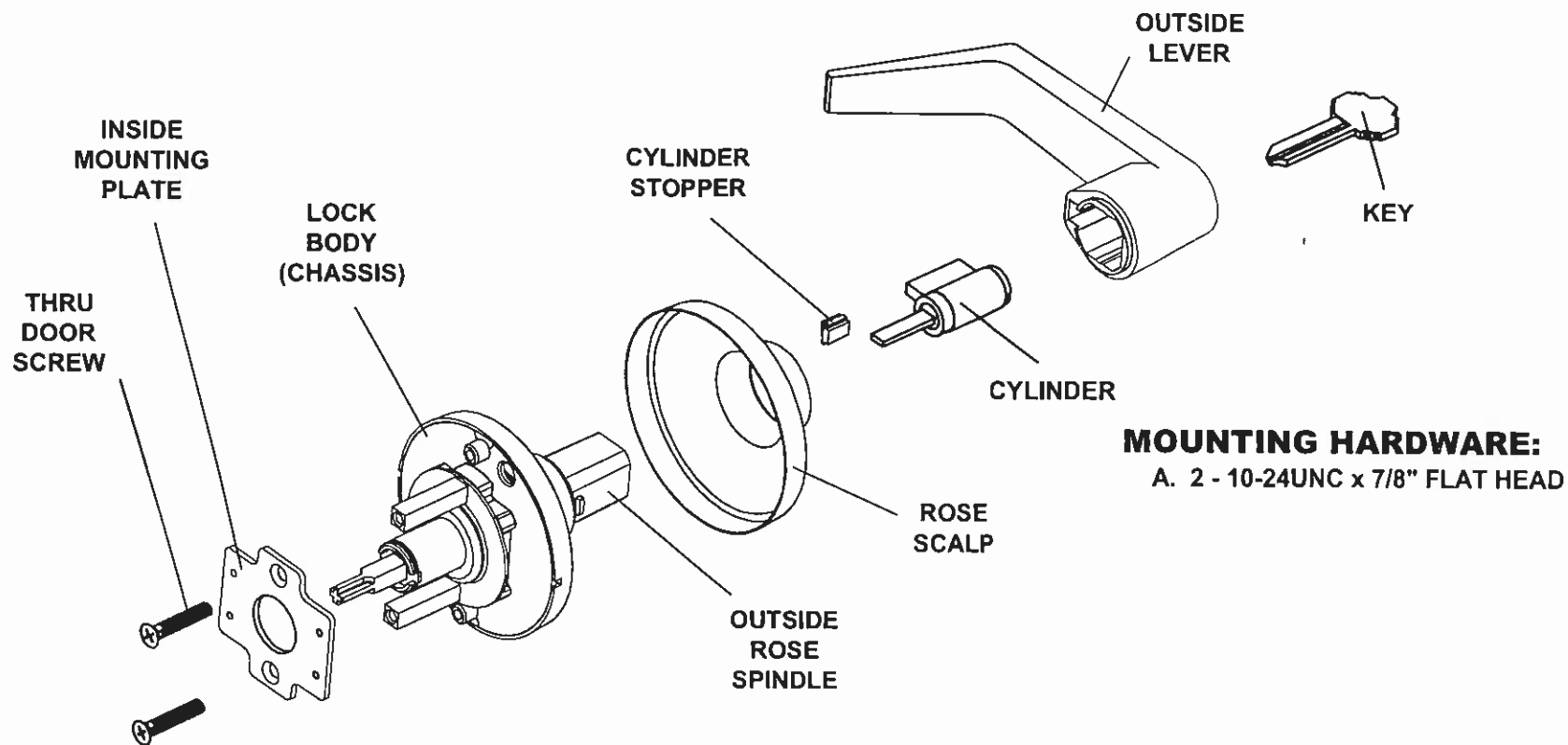


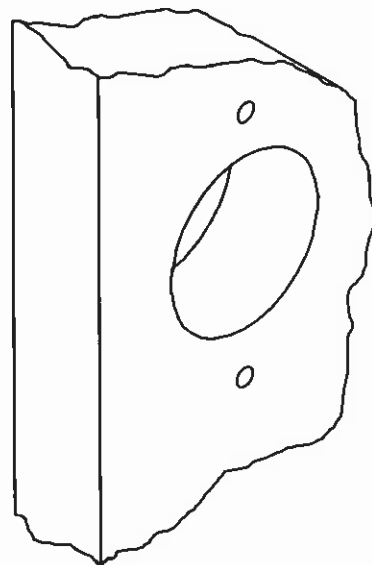
INSTALLATION INSTRUCTIONS FOR EXIT DEVICE TRIM



1. MARK DOOR

- A. Mark center point for 2-1/8" hole to match backset and height on template for exit device.
- B. Mark door for two 5/16" locating holes based on template located on the back side of this instruction sheet.

NOTE: Accurate door preparation is essential for proper function of this exit device trim.



2. BORE HOLES (DOOR PREPARATION)

- A. Drill a 2 1/8" hole through door.
- B. Drill two 5/16" holes 1/2" deep on side of door where trim will mount.

NOTE: A fixture is recommended for drilling the 5/16" holes.

GRADE 1 EXIT DEVICE TRIM

Installation Instructions

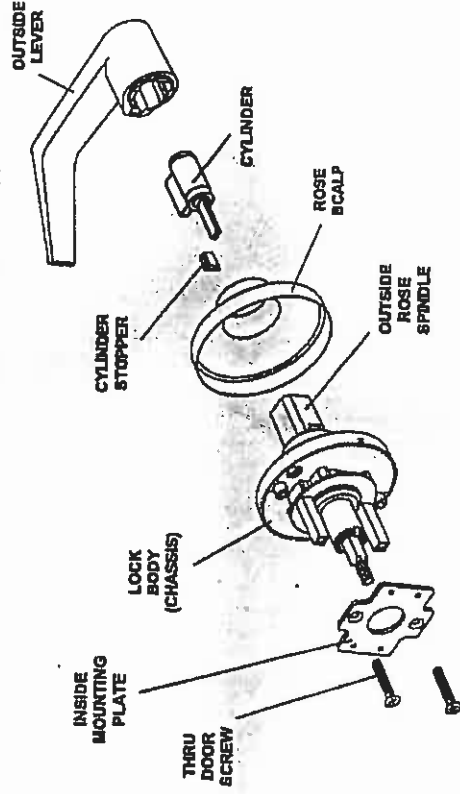


207 BUCKY DRIVE, LITITZ, PA 17543
717-825-2880
800-433-4047
Fax 717-825-7085

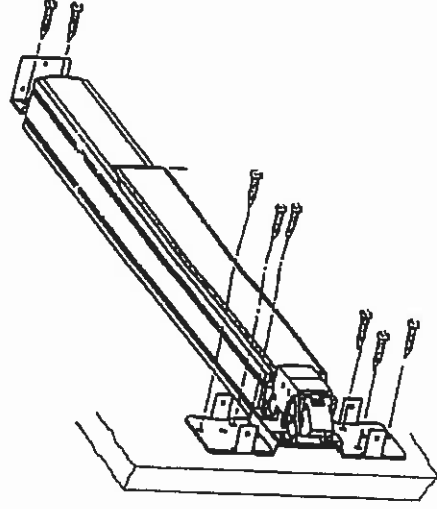
Installation of Grade 1 Exit Device Trim

Special Instruction for installation of	EX100147 Trim used with	EX100077 Exit Device.
	EX100148	EX100079
	EX100157	EX100074
	EX100158	EX100081
	EX100159	
	EX100160	

1. Install trim on the door centering tailpiece on lock prep bore. Secure trim using two supplied screws.



2. Install exit device locating trim tailpiece in the exit device keyway. Secure the exit device to the door using #12 sheet metal screws supplied with the trim. For vertical rod applications attach rod brackets using number #6 screws.



INSTRUCTIONS TO REKEY DEVICE TRIM

Does not apply to IC

TO REMOVE CYLINDER LEVER

- Insert key into lock and rotate 45° clockwise and hold.
- Depress retainer clip with pick provided (or other pointed tool).
- Pull lever off of lock.

TO REMOVE CYLINDER FROM LEVER

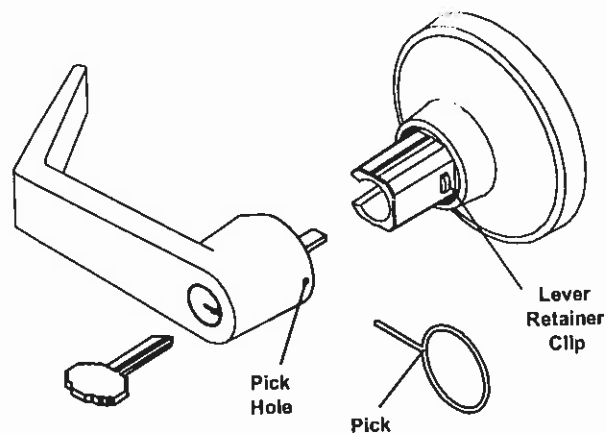
- Remove cylinder stopper.
- Slide cylinder out of lever.

TO INSTALL CYLINDER INTO LEVER

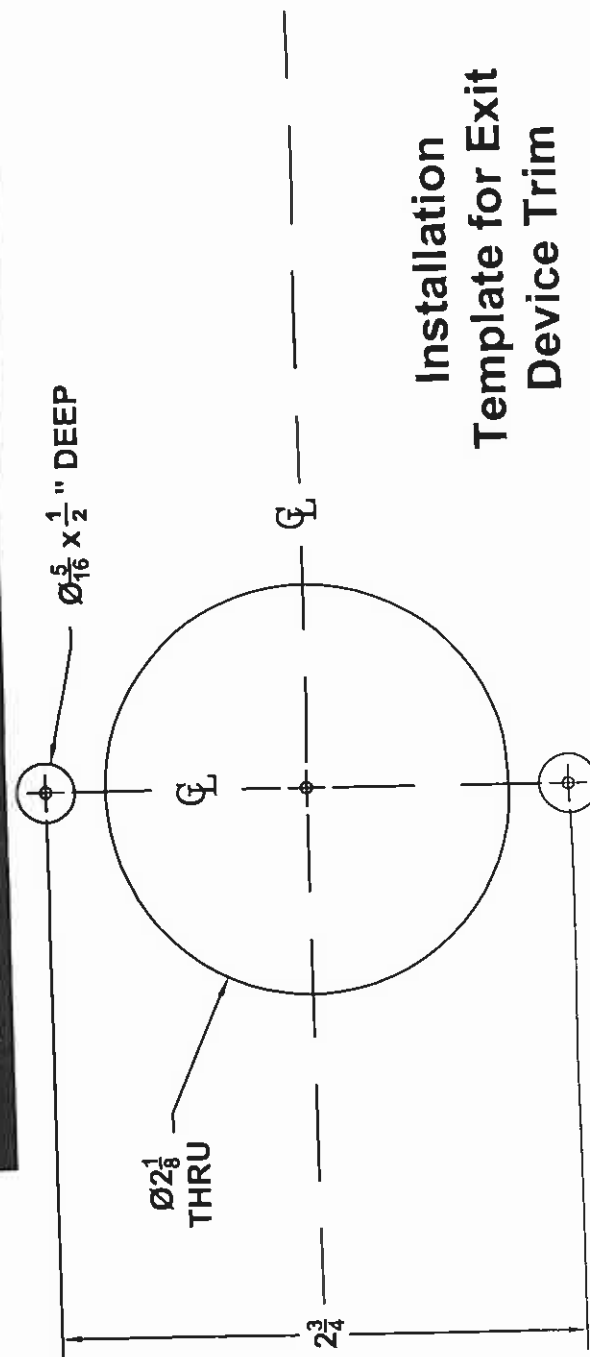
- Slide cylinder into lever.
- Install cylinder stopper.

TO INSTALL CYLINDER LEVER

- Slide lever down to lever retainer clip on spindle.
- Insert key into cylinder, rotate 45° clockwise and hold.
- Push in lever retainer clip and slide lever into locked position.



Note: Backset and Height determined by Exit Device Template



Installation
Template for Exit
Device Trim