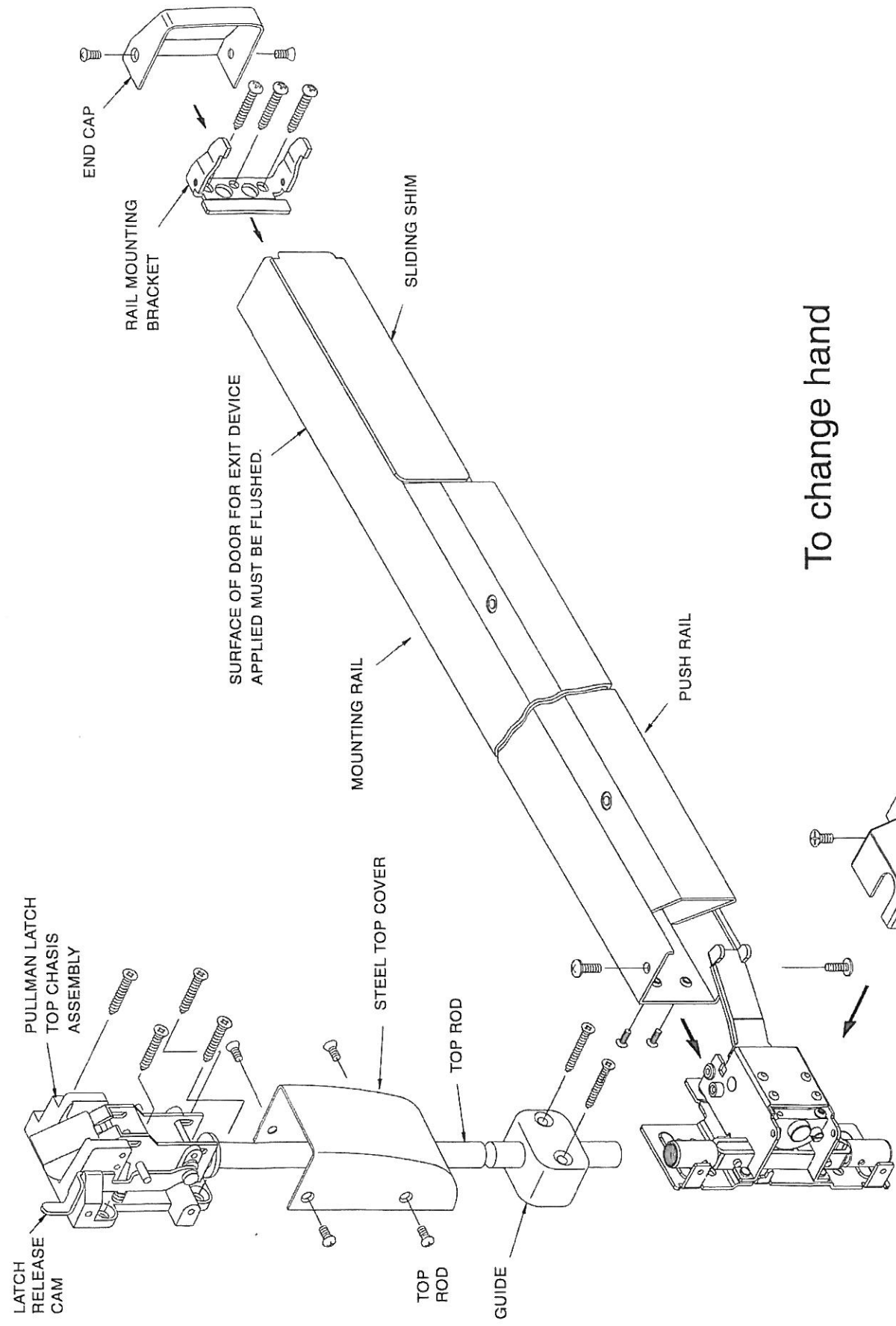
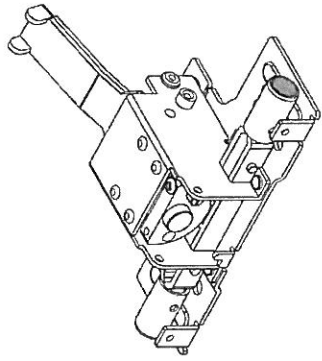
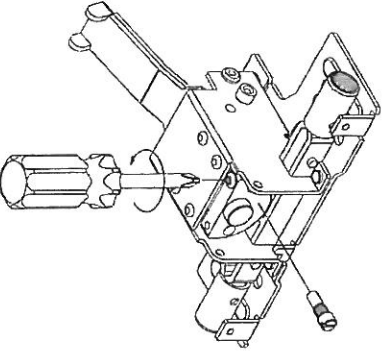
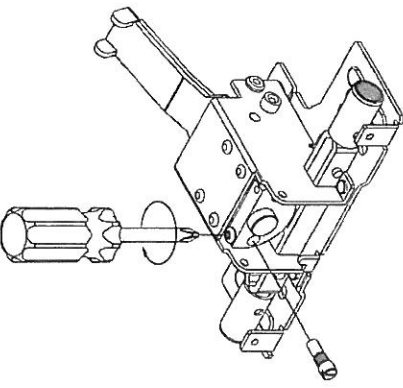


INSTALLATION INSTRUCTION FOR #8100V SERIES FIRE VERTICAL ROD EXIT DEVICE.



To change hand

<p>1. Factory pre-set RHR</p> 	<p>2. Unfasten philip and flat head screw from the pre-set RHR</p> 
<p>3. Fasten philip and flat head screws to the other end for LHR</p> 	<p>4. Now already changed to LHR</p> 