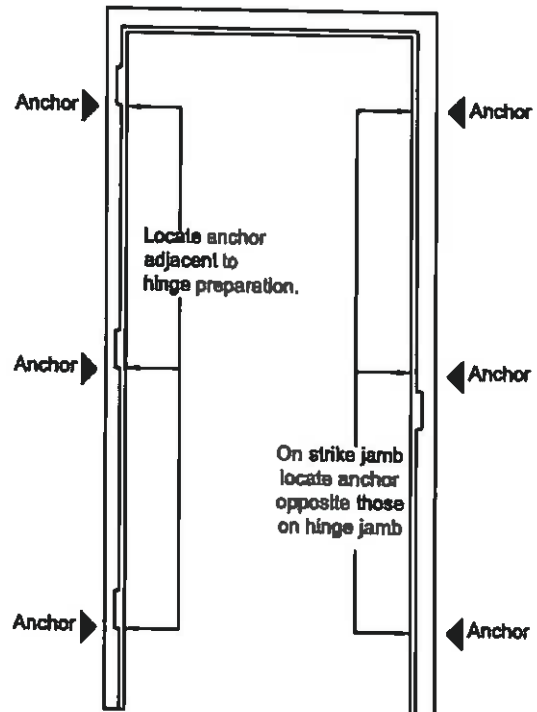
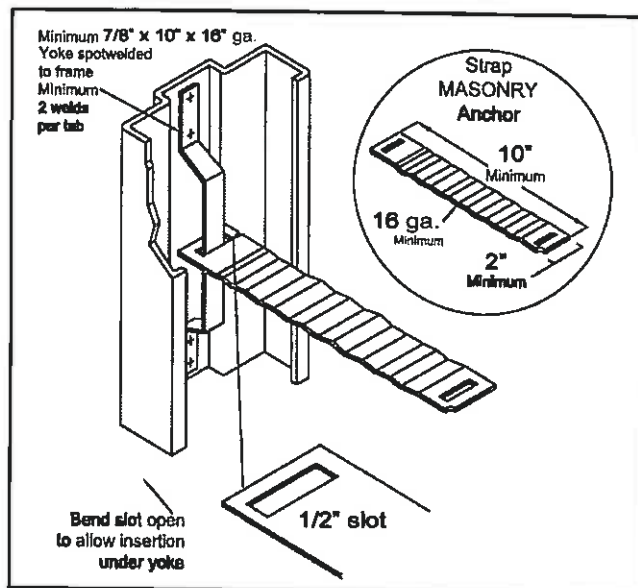
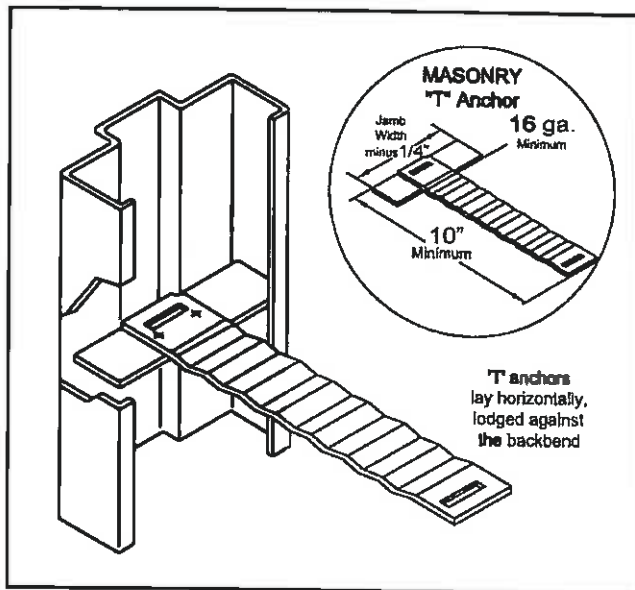
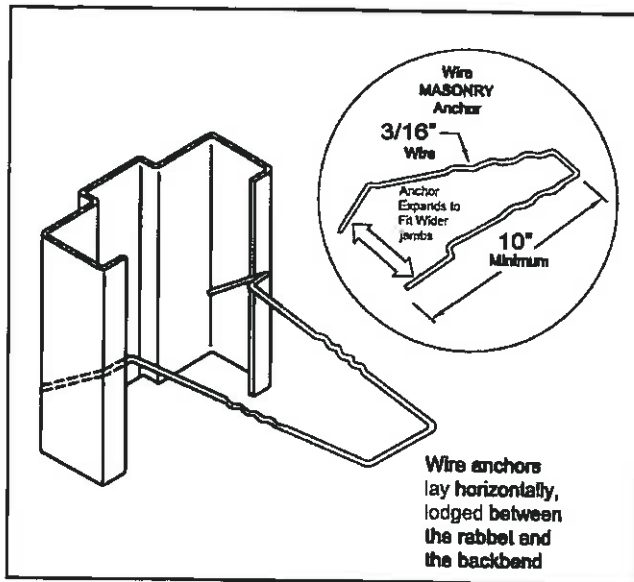


# Masonry Construction WALL ANCHOR INSTALLATION

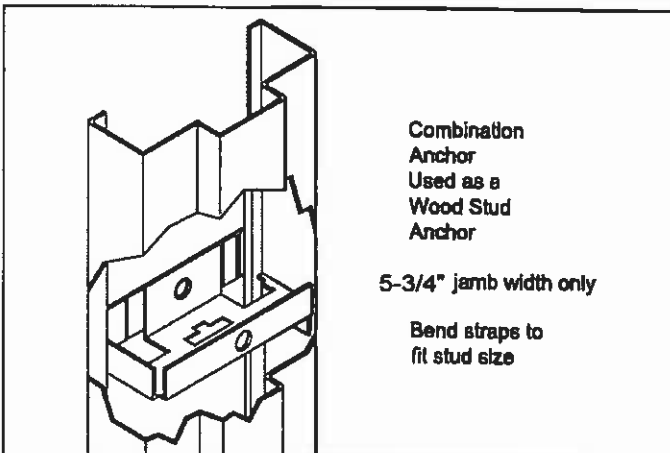
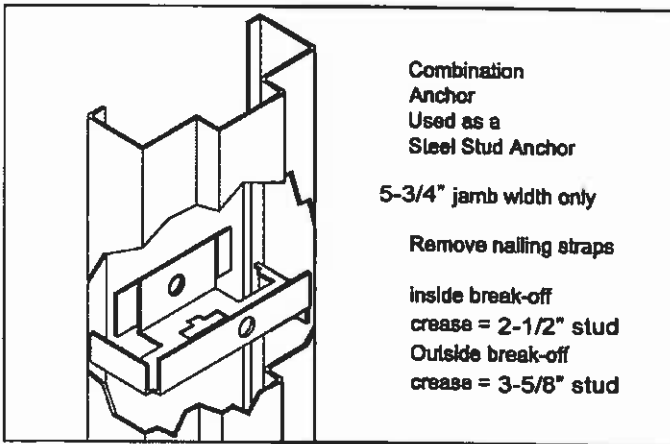
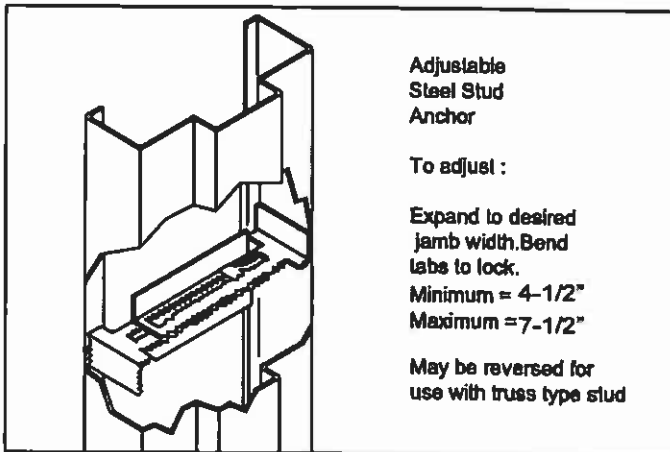
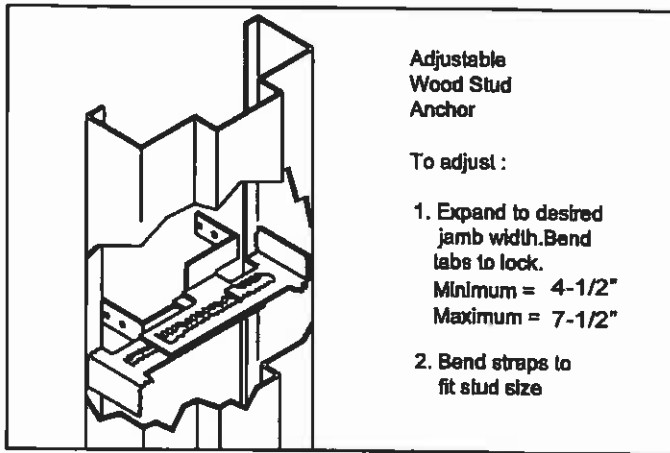
You will have been furnished with one (or more) of the illustrated types of loose masonry wall anchors necessary for the installation of the UL listed Fire Door Frame provided on this job.



The frame must be accurately set and solidly anchored to the wall and grouted. An anchor must be used for each 30 inches or fraction thereof. On the hinge jamb, each anchor must be located immediately above or below each hinge reinforcement. On the strike jamb, anchors must be located directly opposite the anchors on the hinge jamb. Refer to N.F.P.A. Pamphlet #80 or U.L.63

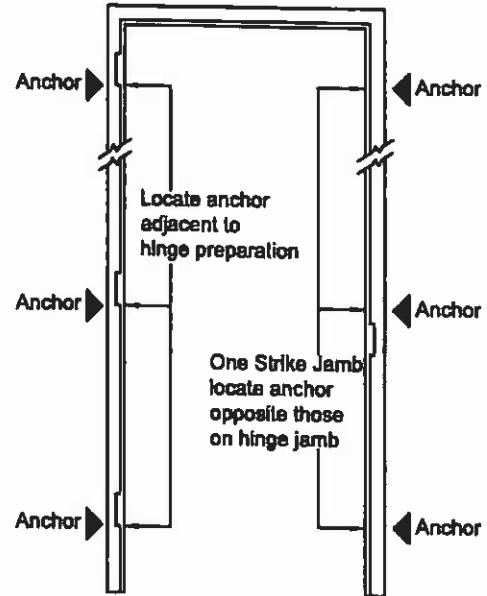


207 Bucky Drive  
 Littitz, PA 17543  
[www.tellmfg.com](http://www.tellmfg.com)  
 800-433-4047

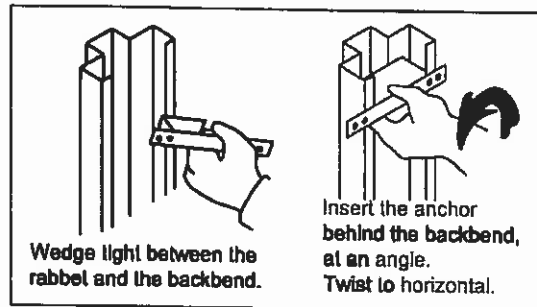


# Stud Construction WALL ANCHOR INSTALLATION

You will have been furnished with one(or more) of the illustrated types of loose stud wall anchors necessary for the installation of the UL listed Fire door frame provided on this job.



The frame must be accurately set and securely anchored to wall. An anchor must be used for each 30 inches of jamb height or fraction thereof. On the hinge jamb, each anchor must be located immediately above or below each hinge reinforcement. On the strike jamb, anchors must be located directly opposite the anchors on the hinge jamb. Refer to N.F.P.A Pamphlet #80 or U.L.63.

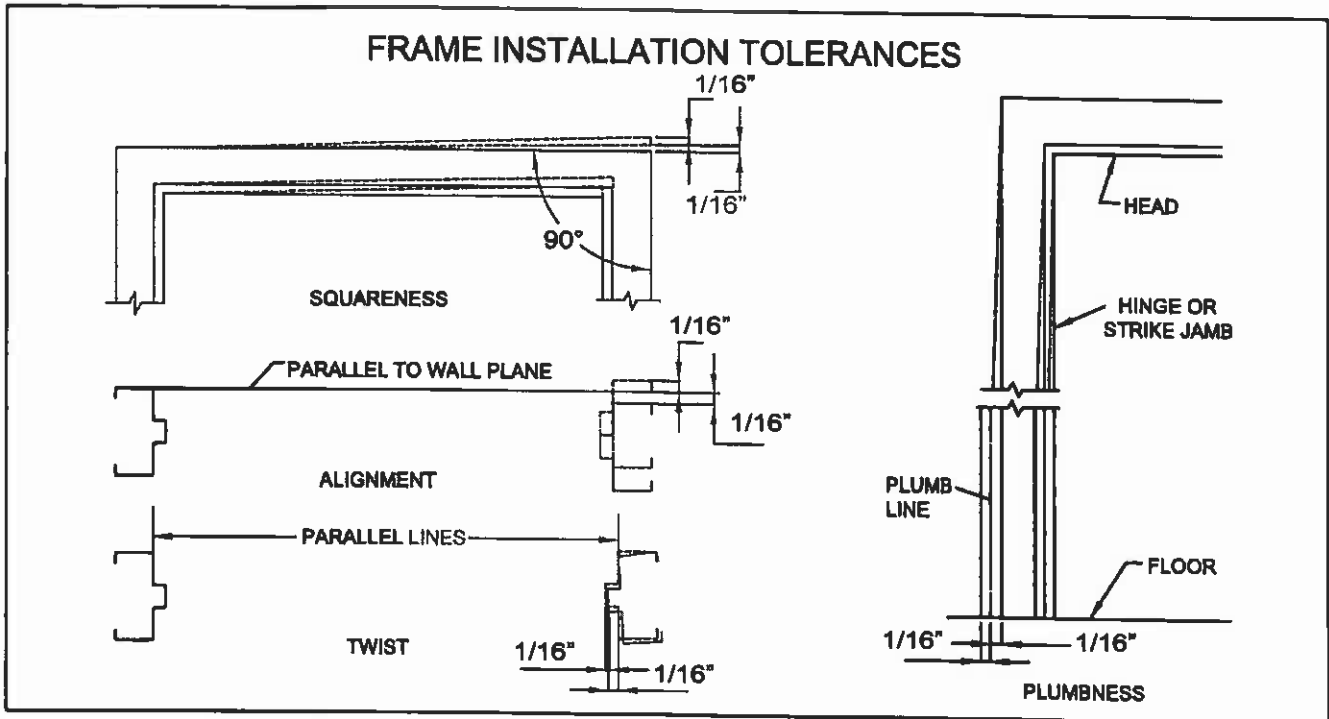


# TECHNICAL DATA-FRAMES

## INSTALLATION INSTRUCTIONS

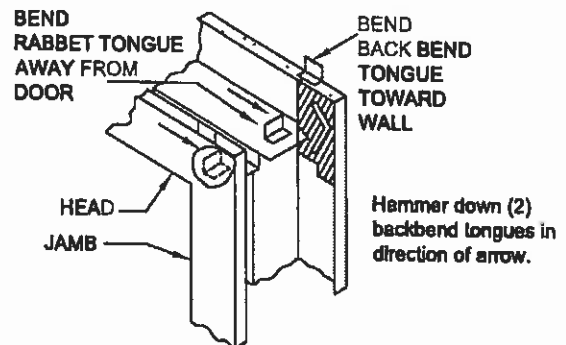
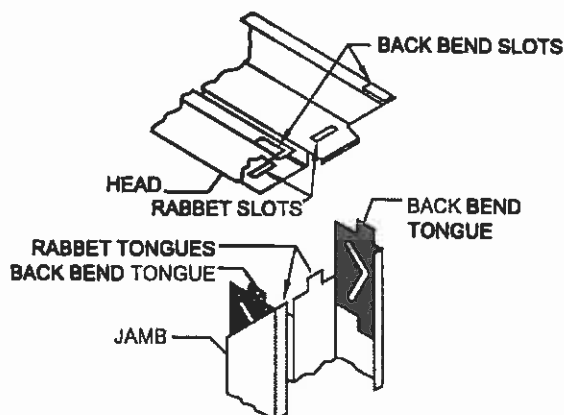
### INSTALLATION INSTRUCTIONS for STANDARD FRAMES

A hollow metal frame must be installed plumb, square and free from rack and twist. Secure bracing is required during installation. An improper installation will affect the performance of the door frame.



### Assembly of Series F and WF Knock Down Corner Connection

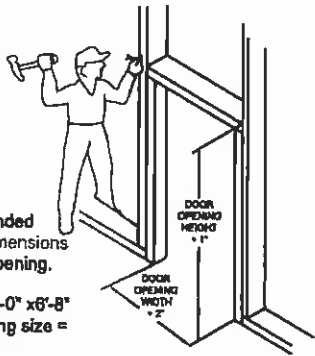
Place the head so that the 4 tongues on jamb engage corresponding slots in head.



Hammer down (2) rabet tongues in - insure that lab is direction of arrow bent out.

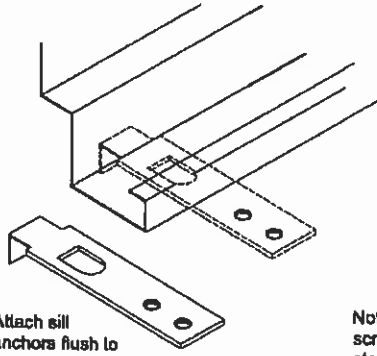
# Drywall Construction

1

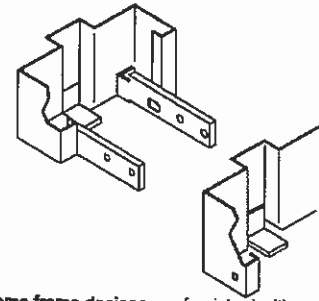


Recommended framing dimensions of rough opening.

Example: 3'-0" x 6'-8" door opening size = 38" x 81" Rough opening (for frame with 2" trim)

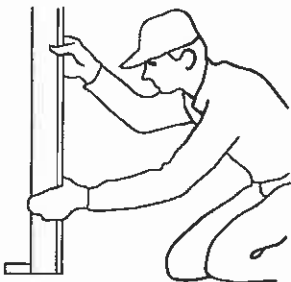


Attach eill anchors flush to the bottom of each jamb.



Note: Some frame designs are furnished with screw hole at the base of each jamb, in the standard base anchor. Screws provided only when frame is factory prefinished.

2



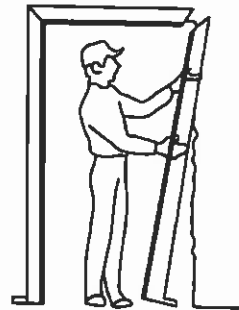
Slip hinge jamb over wall, into position.

3



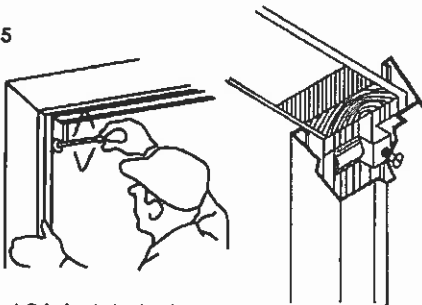
Slip head over wall inserting tongues on head into slots at the top of the hinge jamb.

4



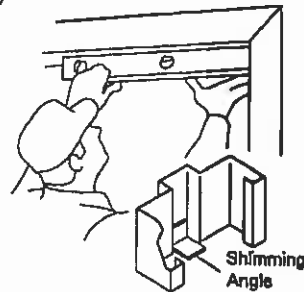
Slip strike jamb over wall. Insert tongues on head into slots at the top of the strike jamb.

5



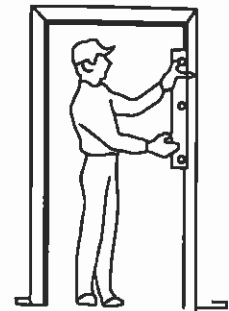
Adjust Grip-Lock Anchor in both jamba by turning the anchor screw COUNTER-CLOCKWISE until anchors hit studs. Outward pressure against studs forces miter closed and wedges frame in opening. Tighten until frame is rigid and secure.

6



Level the head. A shimming angle is located at the base of each jamb in the event vertical shimming is necessary.

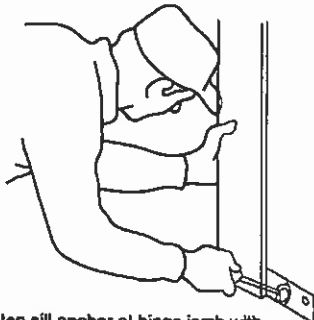
7



Plumb the jamba

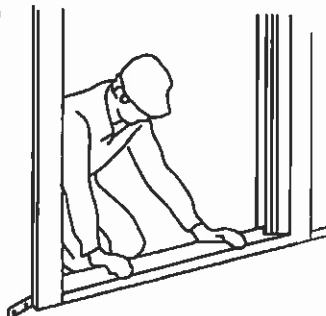
**CARE SHOULD BE TAKEN TO INSURE THE FRAME IS ABSOLUTELY PLUMB AND SQUARE. AN IMPROPER FRAME INSTALLATION WILL EFFECT THE PERFORMANCE OF THE OPENING.**

8

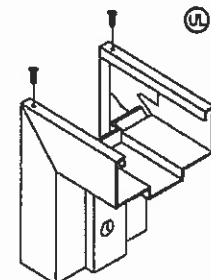


Fasten eill anchor at hinge jamb with nails or screws.

9



Install wood spreader and fasten eill anchor at strike jamb with nails or screws.



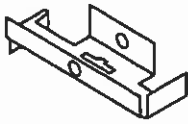
Insert the 2 1/2" casing nails into the corner connections, thru the hole at the lap corner of the head.

Note: Modification of the base anchor may permit the use of this frame in a concrete or properly prepared existing masonry wall, consult pioneer.

# EXISTING MASONRY CONSTRUCTION

- 1 You will have been furnished an appropriate amount of one type of existing masonry wall anchors.

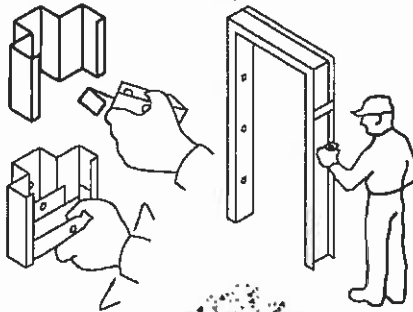
Combination Existing Masonry Wall Anchors Furnished Loose



Pipe & Strap Anchor Welded to Frame

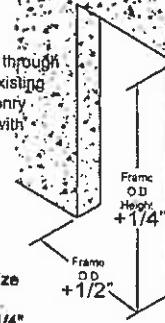
Note: 3/8" diameter hole is provided through frame stop with either a countersink or dimple to receive anchor bolts.

Loose anchors are installed by forcing the anchor between the inside of the rabbet and return. Put anchor into place at an angle and twist until horizontal. Be sure holes through anchor are lined up with hole in frame stop.



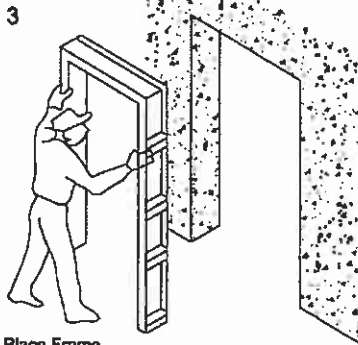
2

Recommended through dimensions of existing opening in masonry wall and frame with 2" trim.



Example:  
3'-0" x 7'-0"  
Door opening size  
= 40" x 88" O.D.  
= 40-1/2" x 88-1/4"  
Rough opening

3



Place Frame in Rough Opening

- 4 Place Wood spreader at sill



Note: setup and welded frame may have a spreader bar welded across sill. Remove spreader bar and discard. Do not rely on spreader bar as an accurate fig.

5



Add Wood spreader at Corner of Frame

6



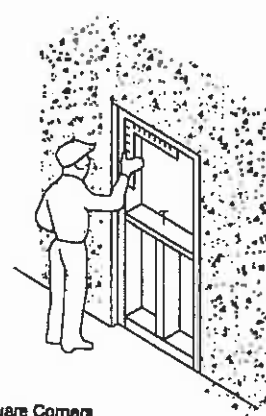
Plumb Jamb

7



Level Head

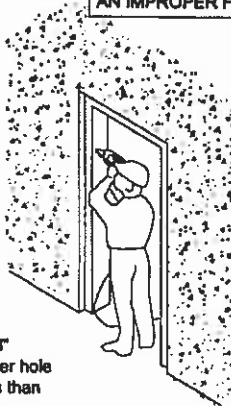
8



Square Corners

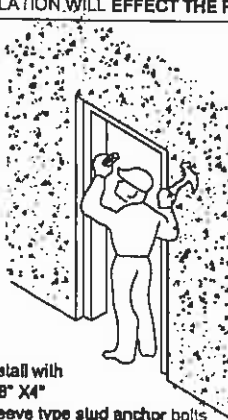
**CARE SHOULD BE TAKEN TO INSURE THE FRAME IS ABSOLUTELY PLUMB AND SQUARE AN IMPROPER FRAME INSTALLATION WILL EFFECT THE PERFORMANCE OF THE OPENING**

9



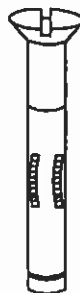
Drill 3/8" Diameter hole No less than 1-3/8" in to Masonry

10



Install with 3/8" X 4" sleeve type stud anchor bolts

(Anchor Bolts to be supplied by others)



11

To install frame with expansion shields and machine bolts the location of the shield installation must be marked after step #8 and the frame removed from the wall.

Drill the depth and diameter hole recommended by the shield manufacturer.

Install shield.

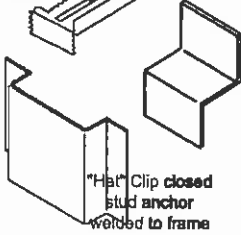
Reinstall frame end screw in to place.

Note: Bolts and shields to be supplied by pioneer only when frame is UL listed.

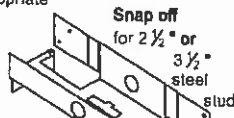
# Steel Stud Construction

1 You will have been furnished an appropriate amount of one type of steel stud wall anchors

Adjustable Steel stud anchor furnished loose

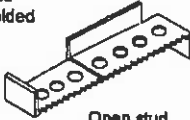


"Hat" Clip closed stud anchor welded to frame



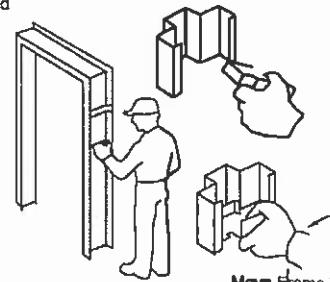
Snap off for 2 1/2" or 3 1/2" steel stud

Combination stud anchor furnished loose.

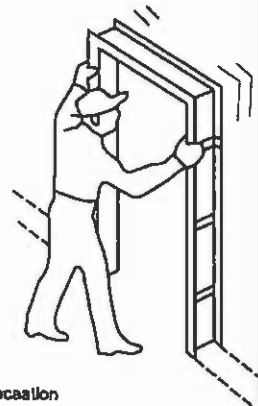


Open stud Anchor welded to frame

Loose anchors are installed by forcing the anchor between the inside of the rabbet and the return. Put anchor into place at an angle and twist until horizontal.

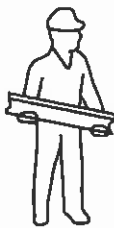


Move Frame Into Location



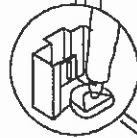
3

Place Wood Spreader at Sill



Note : set-up and welded frame may have a spreader bar welded across sill. Remove spreader bar and discard. Do not rely on spreader bar as an accurate jig.

4



Shoot Floor Knee

5



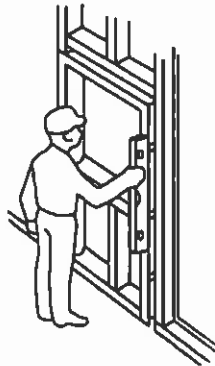
Set Floor Runner Channels and Install Steel Stud Channels

6

Add Wood Spreader at Center of Frame

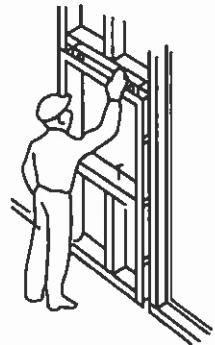


7



Plumb Jamb

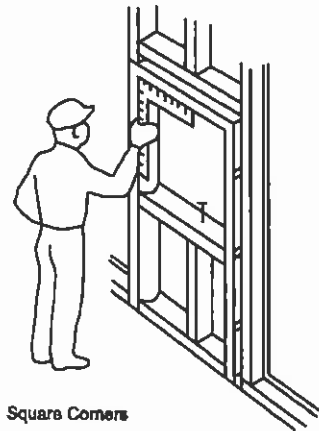
8



Level Head

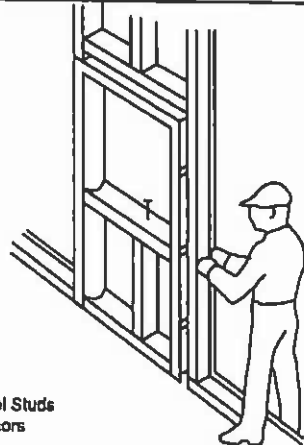
**CARE SHOULD BE TAKEN TO INSURE THAT THE FRAME IS ABSOLUTELY PLUMB AND SQUARE. AN IMPROPER FRAME INSTALLATION WILL EFFECT THE PERFORMANCE OF THE OPENING.**

9



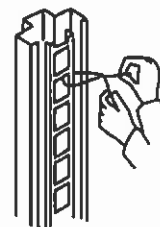
Square Corners

10



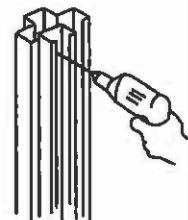
Attach Steel Studs to Anchors

10A



Open Stud Wired to Anchor

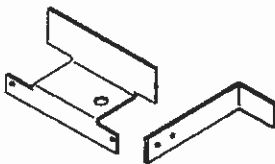
10B



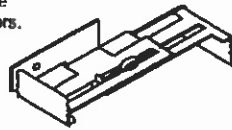
Closed Stud Screwed to Anchor

# Wood Stud Construction

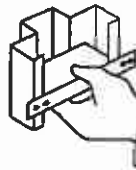
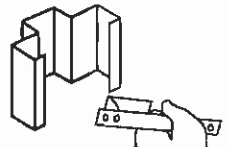
1 You will have been furnished an appropriate amount of one type of wood stud wall anchors.



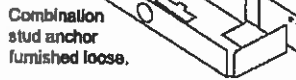
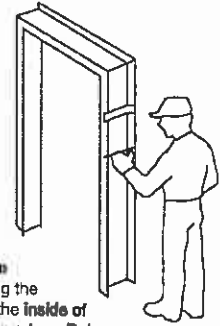
Wood stud anchors welded to frame



Adjustable wood stud anchor furnished loose

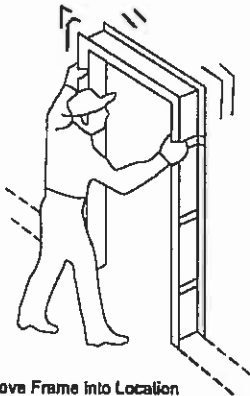


Loose anchors are installed by forcing the anchor between the inside of the rabbet and the return. Put anchor into place at an angle and twist until horizontal.



Combination wood stud anchor furnished loose.

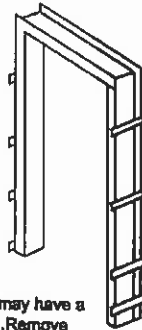
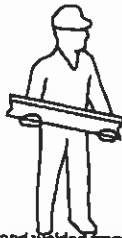
2



Move Frame into Location

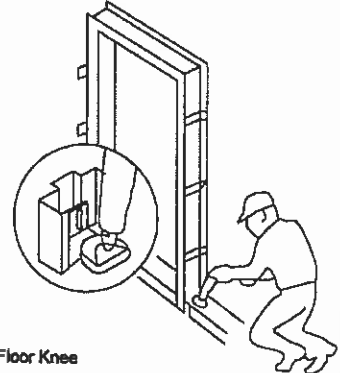
3

Place Wood Spreader at Sill



Note: set-up and welded frame may have a spreader bar welded across sill. Remove spreader bar and discard. Do not rely on spreader bar as an accurate jig.

4



Shoot Floor Knee

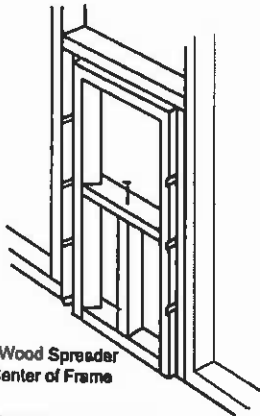
5



Install Wood Stud Floor Runner and Perimeter Studs

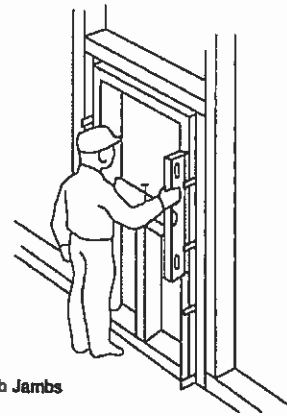
6

Add Wood Spreader at Center of Frame



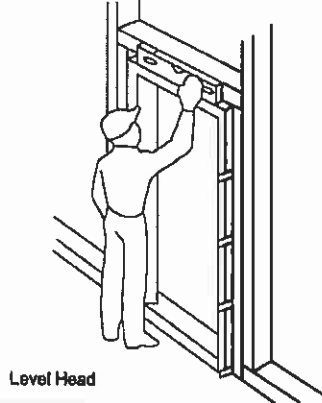
7

Plumb Jamb



**CARE SHOULD BE TAKEN TO INSURE THAT THE FRAME IS ABSOLUTELY PLUMB AND SQUARE. AN IMPROPER FRAME INSTALLATION WILL EFFECT THE PERFORMANCE OF THE OPENING.**

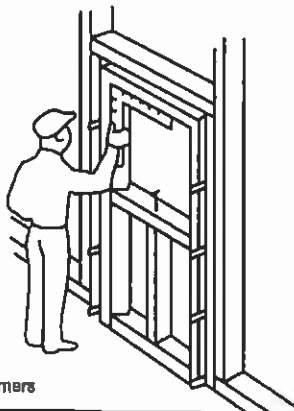
8



Level Head

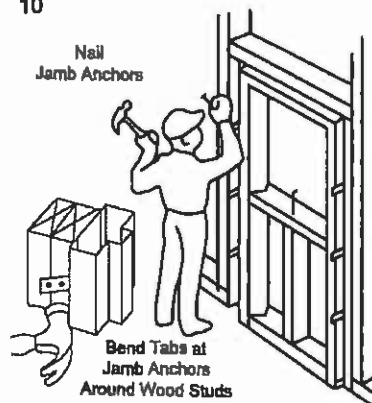
9

Square Corners



10

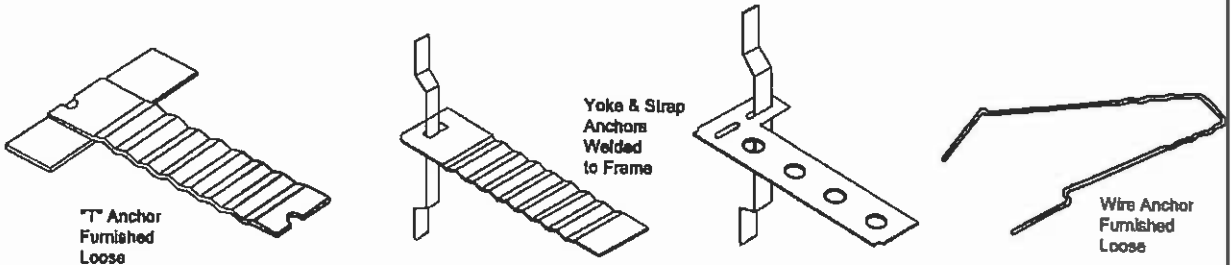
Nail Jamb Anchors



Bend Tabs at Jamb Anchors Around Wood Studs

# Masonry Construction

You will have been furnished an appropriate amount of one type of masonry wall anchors



CARE SHOULD BE TAKEN TO INSURE THAT THE FRAME IS ABSOLUTELY PLUMB AND SQUARE. AN IMPROPER FRAME INSTALLATION WILL EFFECT THE PERFORMANCE OF THE OPENING.

