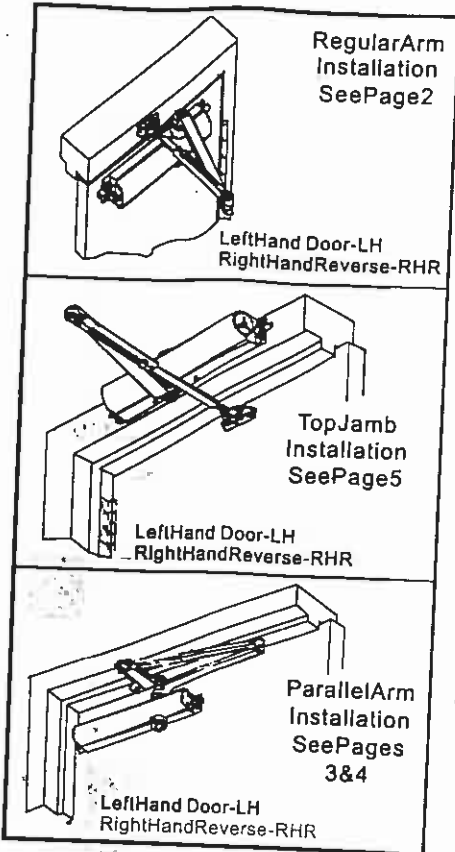


# SERIES 800

Non Hold Open Models  
Adjustable  
Size (2 Thru 5)

## Installation Instructions

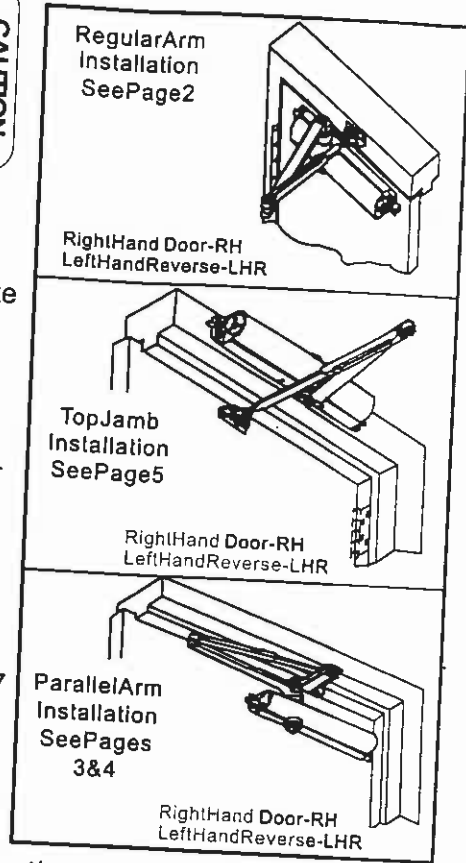
### Non Handed Door Closer



**CAUTION**  
An incorrectly installed or improperly adjusted door closer can cause property damage or personal injury. These installation instructions should be followed to avoid the possibility of misapplication or misadjustment.

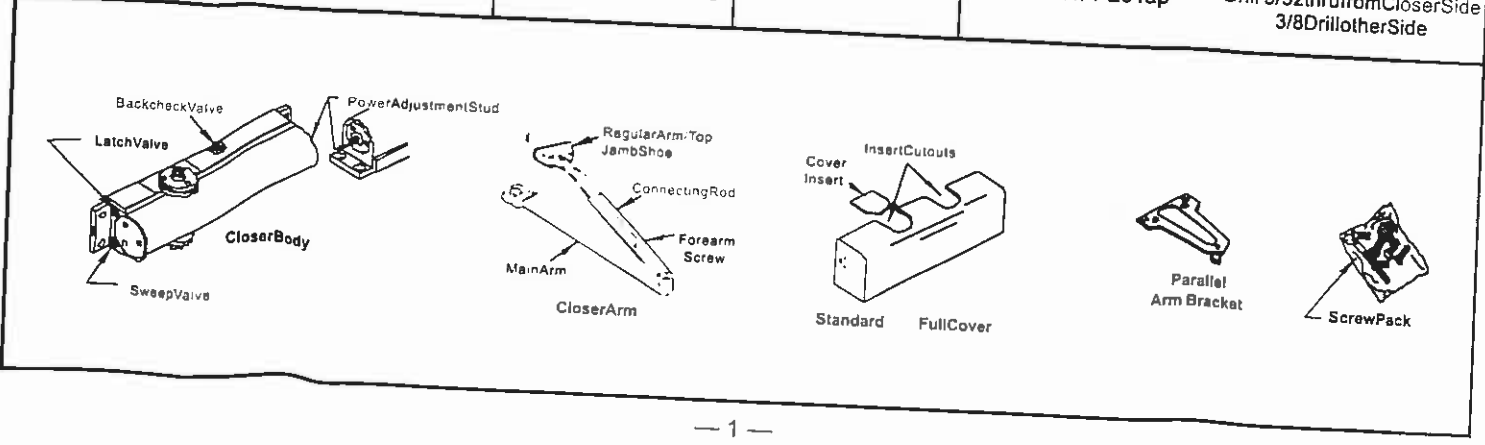
**NOTE:** For special applications a separate door and frame preparation template is packed with these instructions. Use this instruction sheet for installation sequence and closer adjustments only.

- Doors should be hung on ball bearing or Anti-friction hinges.
- A separate door stop is recommended.
- Door and frame must be properly reinforced.
- Adjust closing time speed between 3 and 7 seconds from 90° to 0°. Greater closing Times may be required for elderly or handicapped.



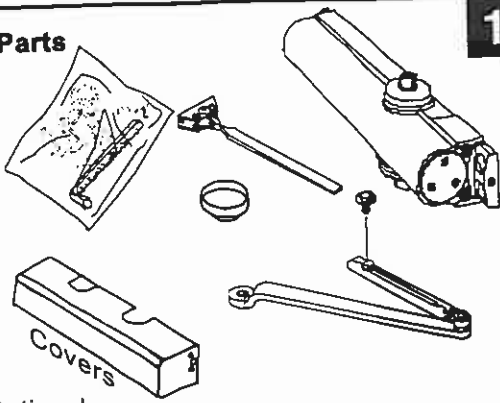
- These door closers should NOT be installed on the exposed side (weather side) of exterior doors.

	<p><b>Metal</b></p> <p>#7 1/4-20</p>	<p><b>Wood</b></p> <p>3/16"</p>	<p>Self Drilling Screws Wood and Metal</p> <p>For Wood drill 3/16 hole</p> <p>Machine Screws #7 Drill, 1/4-20 Tap</p>	<p>(Optional)</p> <p>Sleeve Nut and Bolt</p> <p>Drill 9/32 thru from Closer Side 3/8 Drill other side</p> <p>Thru Bolt and Grommet Nut</p> <p>Drill 9/32 thru from Closer Side 3/8 Drill other side</p>



# Non Hold Open Door Closers — Regular Arm

## 1 Parts

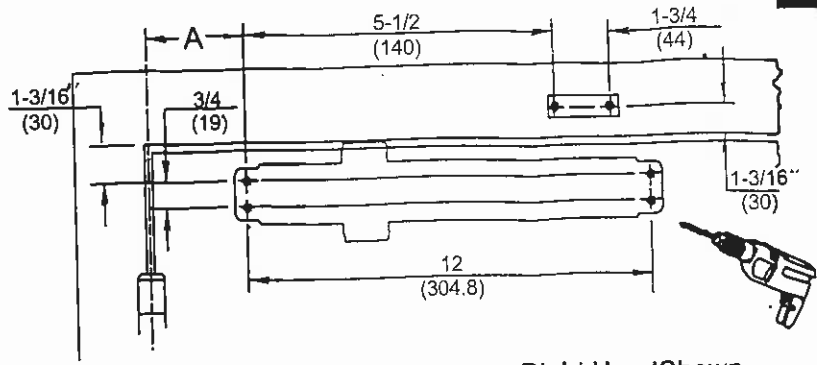


Covers

Optional

1

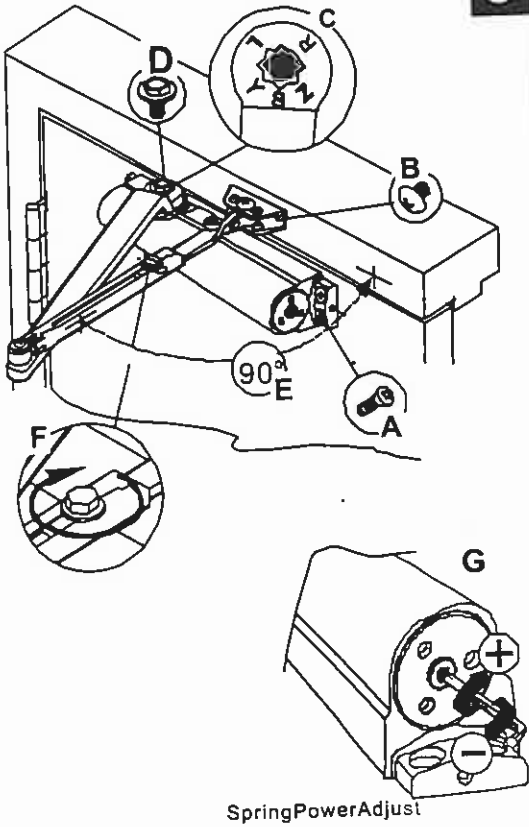
## 2 Mark and Drill Holes



Right Hand Shown

2

## 3 Installation Sequence



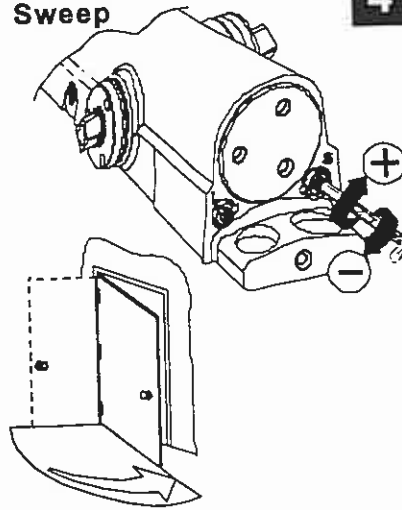
Spring Power Adjust

3

Opening	Dimension A	Inches (mm)
To 100°	7-1/2 (191)	
101° to 130°	6 (152)	
131° to 180°	4-1/2 (114)	

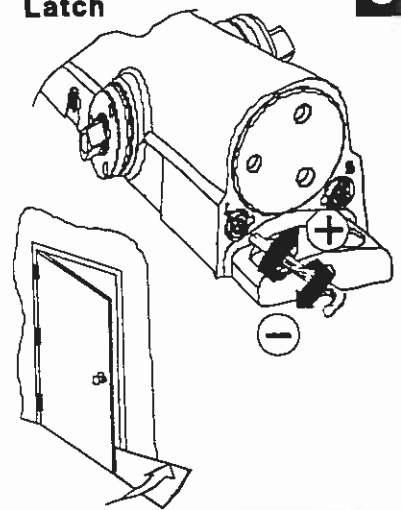
\* Door/Wall/Hardware/Jamb conditions permitting

## 4 Sweep



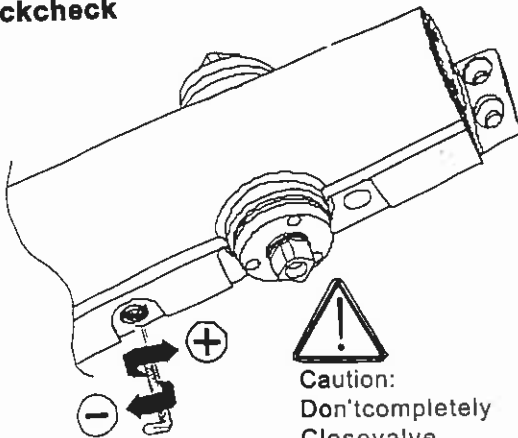
4

## 5 Latch



5

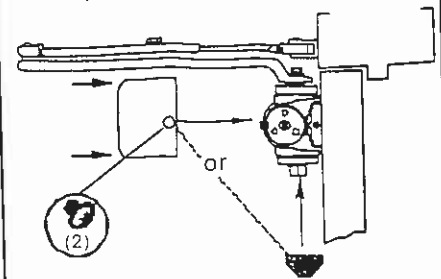
## 6 Backcheck



Caution:  
Don't completely  
close valve

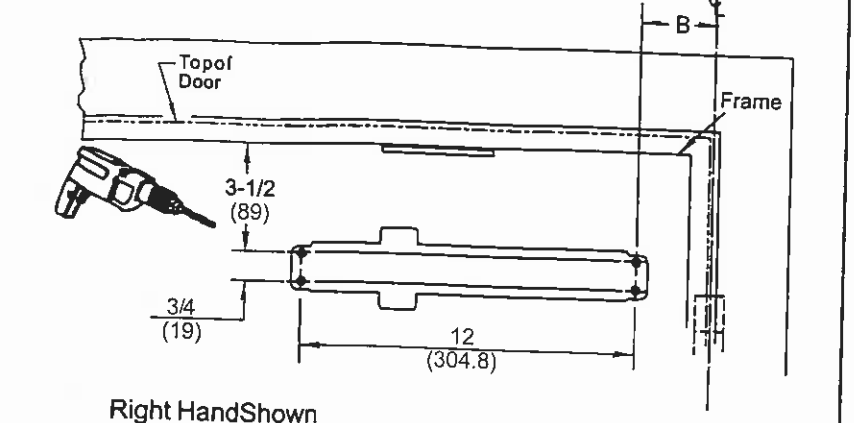
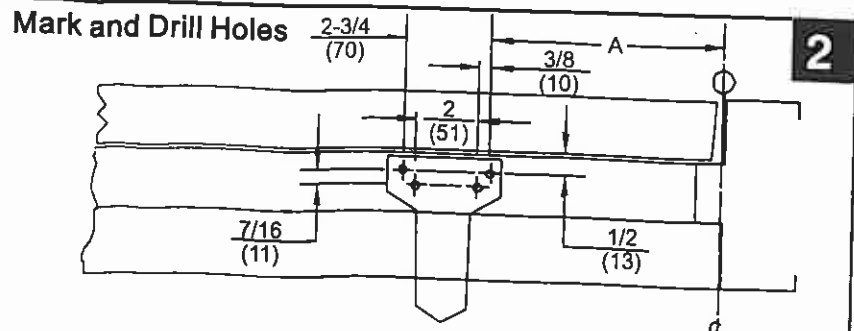
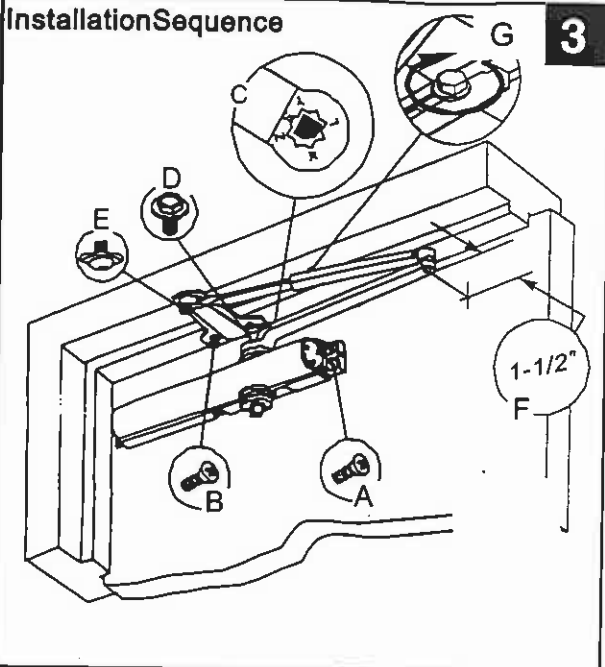
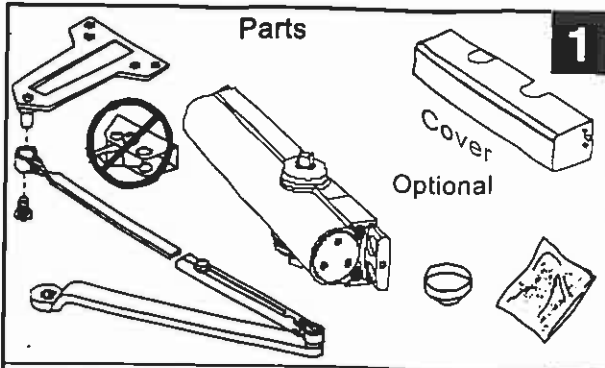
6

## 7 Pinion Cap or Optional Cover



7

# Non Hold Open Door Closers — Parallel Arm

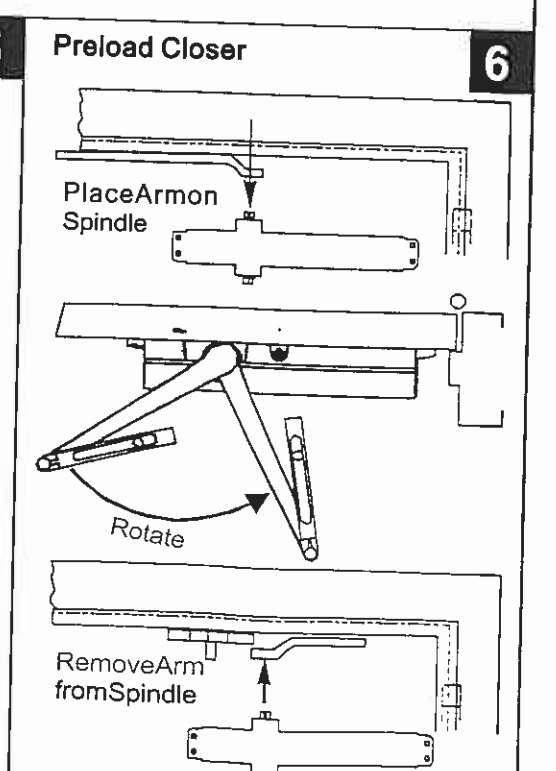
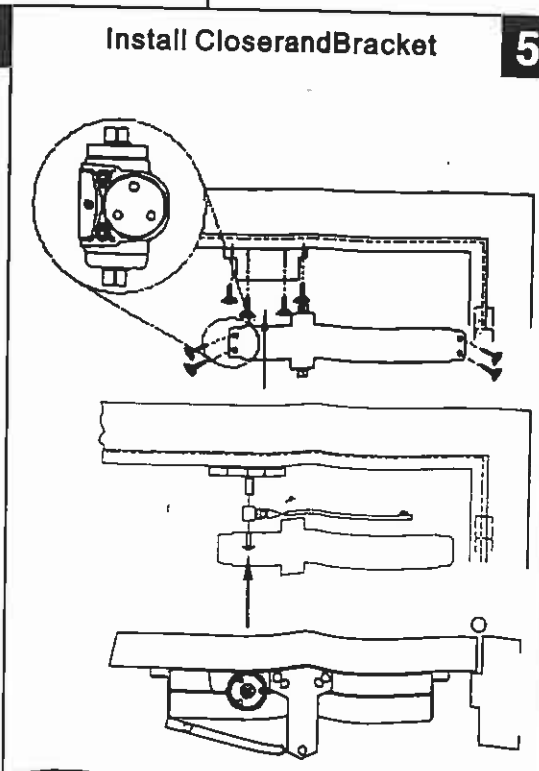
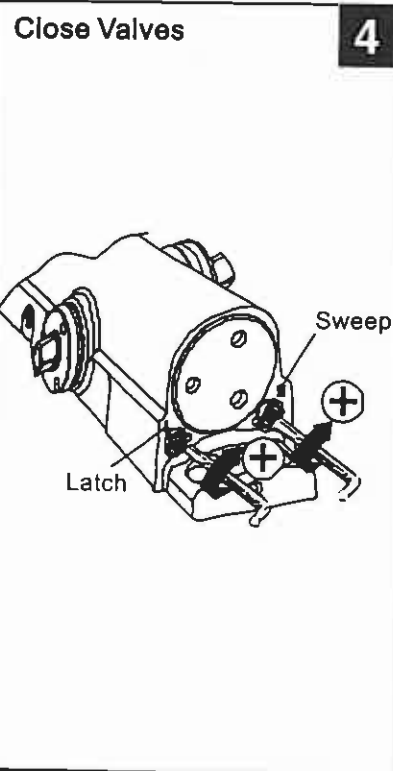


Right Hand Shown

Inches  
(mm)

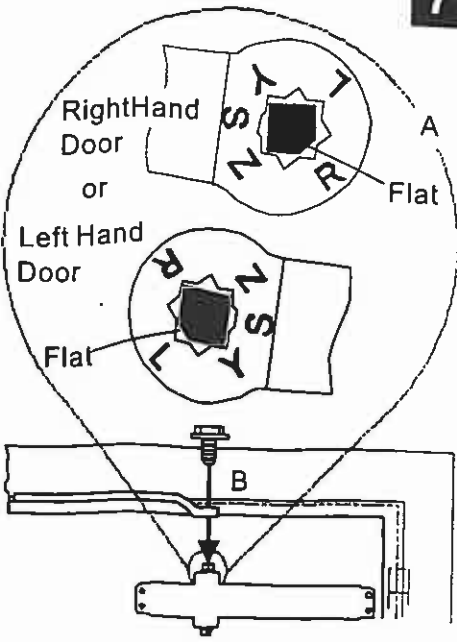
\* Door/Wall/Hardware/Jamb conditions permitting

Door Opening	A	B
To 120°	9-1/2 (241)	3-3/4 (95)
*121 to 180°	7 (178)	1-1/4 (32)



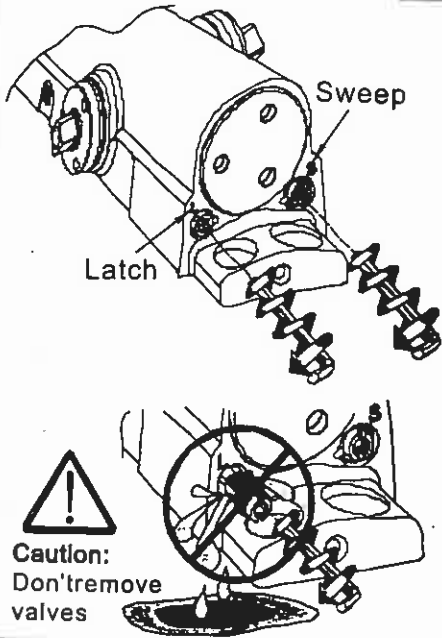
# Non Hold Open Door Closers — Parallel Arm

7



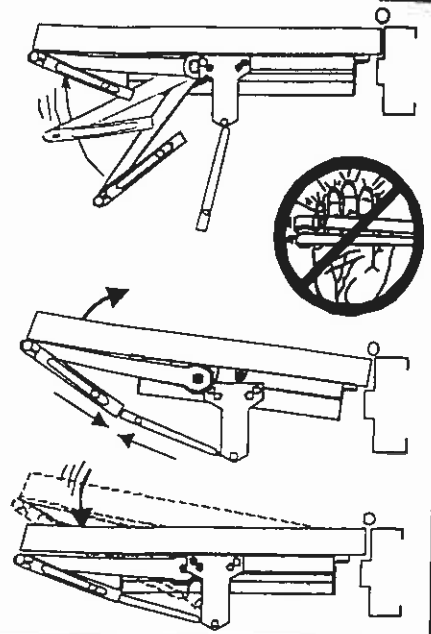
Open Valves

8



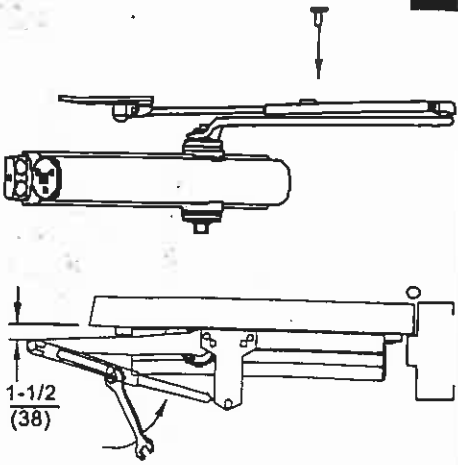
Assemble Arm

9



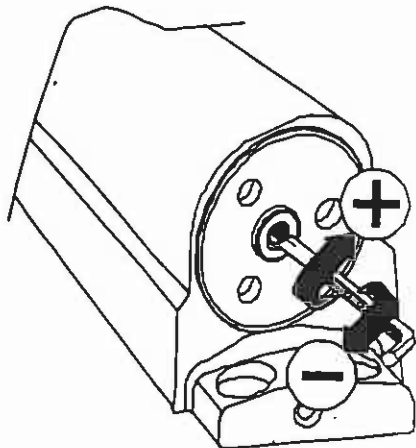
Arm Screw

10



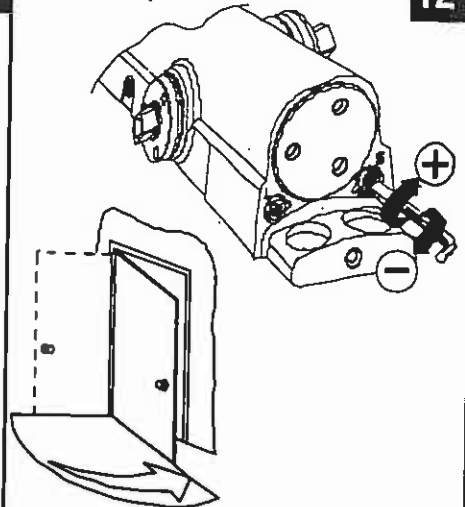
Spring Power Adjust

11



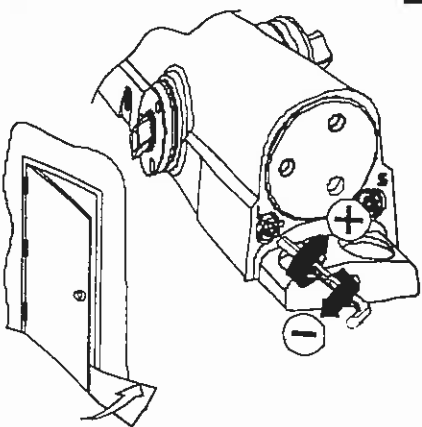
Sweep

12



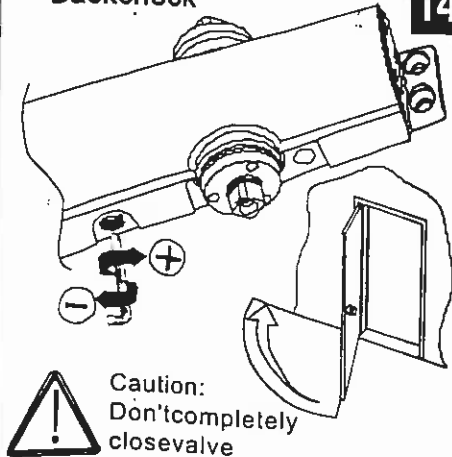
Latch

13



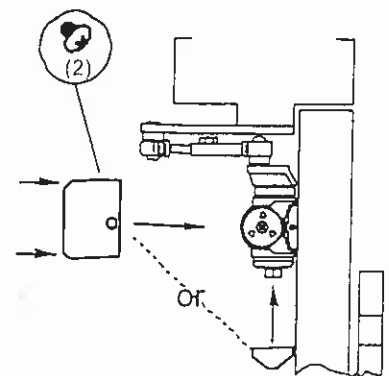
Backcheck

14

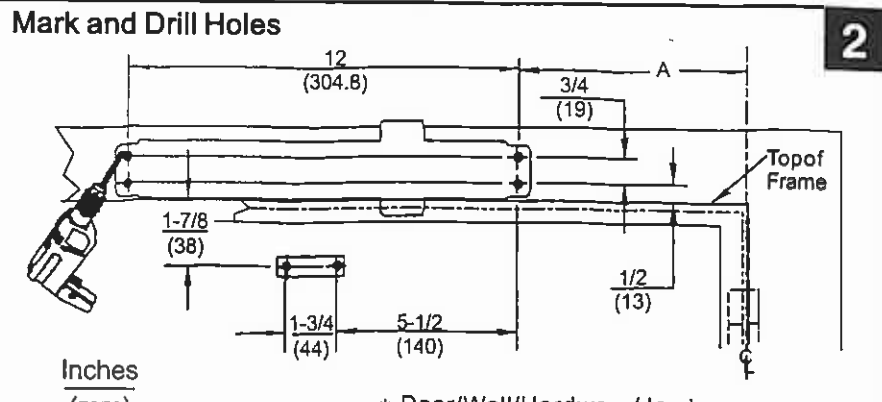
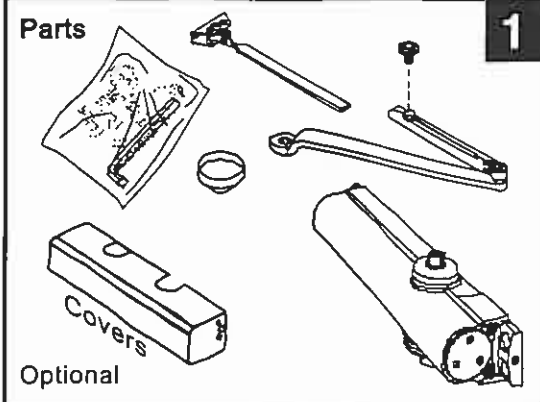


Pinion Cap  
or Optional Cover

15



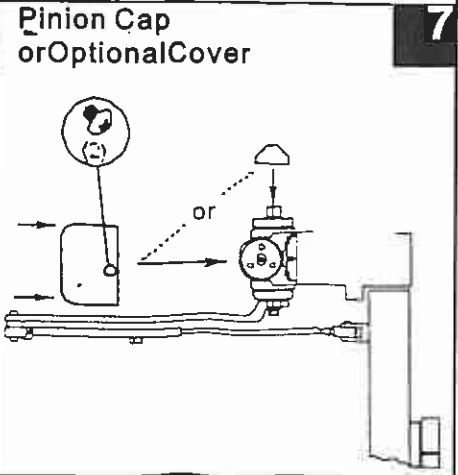
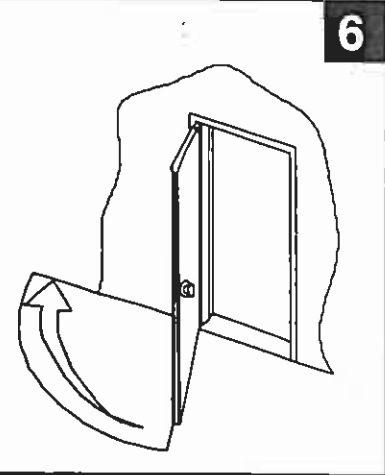
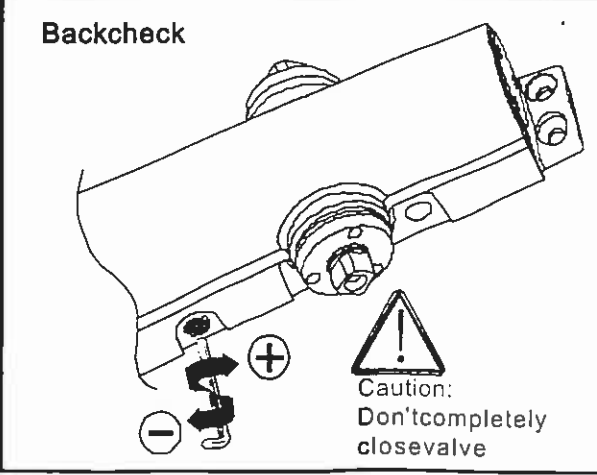
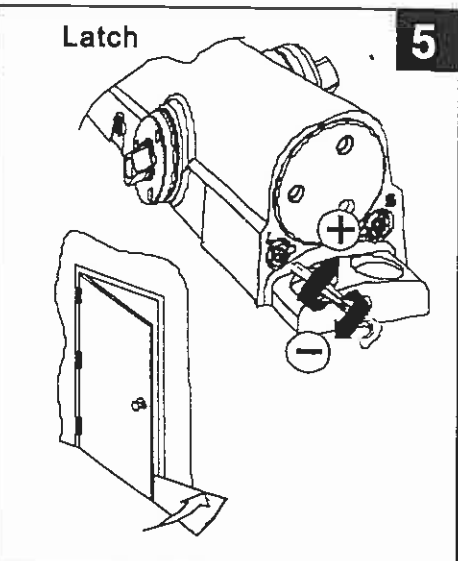
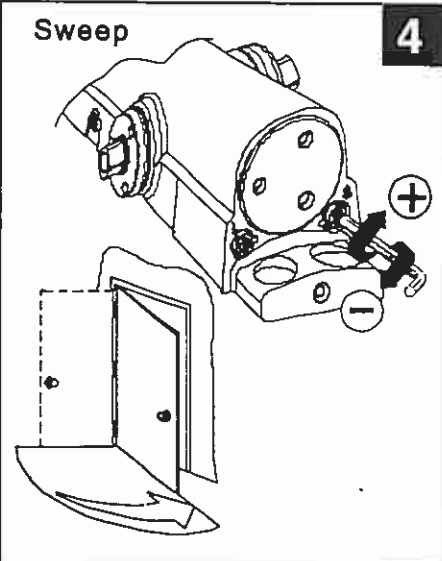
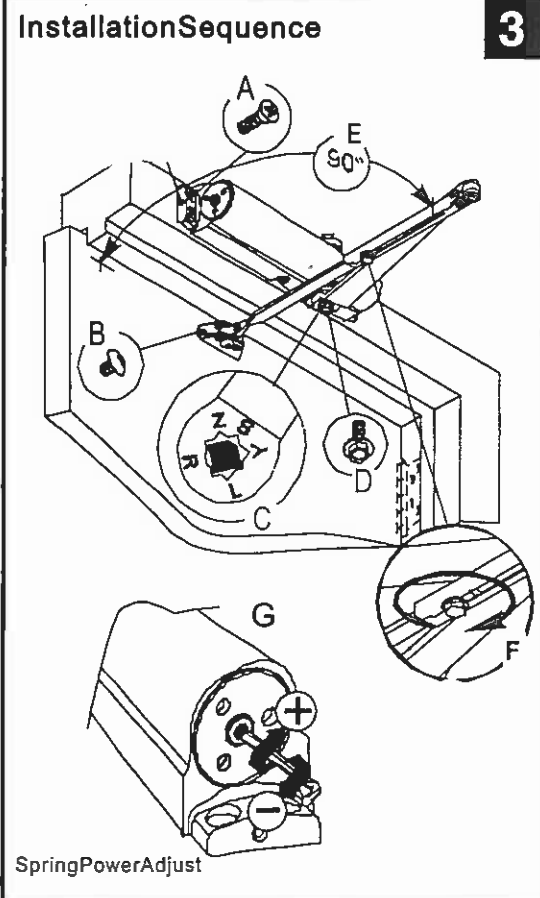
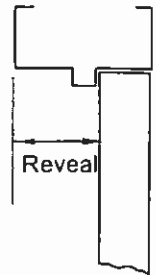
# Non Hold Open Door Closers — Top Jamb Arm



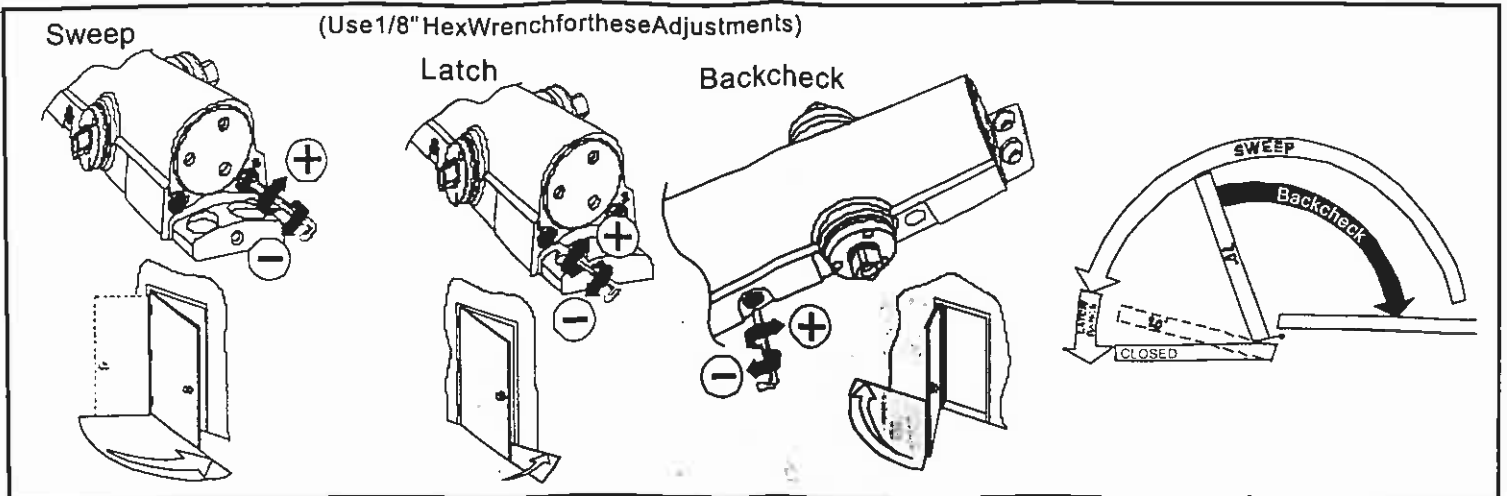
Inches (mm) Right Hand Shown\* Door/Wall/Hardware/Jamb conditions permitting

Opening	Dimension "A"
To 100°	7-1/2 (191)
101° to 130°	6 (152)
131° to 180°	4-1/2 (114)

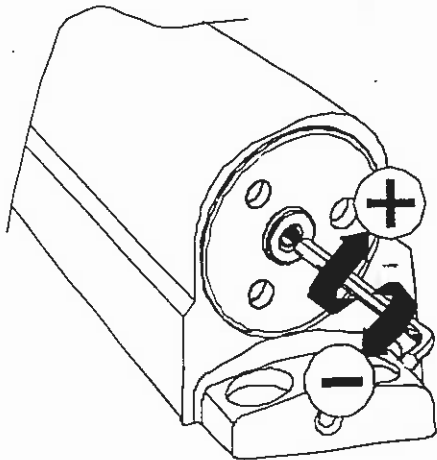
Alonger connecting rod is required for reveals greater than 3 (76)



# Adjustments Page



## Spring Power Adjust



(Use 1/8 Hex Wrench for this Adjustment)

## POWER ADJUSTMENT CHART

MAXIMUM DOOR WIDTH		FULL TURNS REQUIRED
EXTERIOR DOORS	INTERIOR DOORS	
8.5 lb-ft*	34" (864)	5 TURNS C.C.W.
30" (762)	38" (962)	0 TURNS
36" (914)	48" (1219)	5 TURNS C.W.
42" (1067)	54" (1372)	9 TURNS C.W.

\*15 Full (360°) turns maximum available  
Closer was set down as size 3 from the factory originally.

## Arm Placement in Shoe

