

**TIOGA™ DOORWAY SYSTEMS - SINGLE- WINDSTORM ASSEMBLIES (TDS-S-WS)**

THE FOLLOWING DOOR, FRAME AND HARDWARE SYSTEMS ARE DESIGNED TO MEET THE REQUIREMENTS OF:

- TAS 201, IMPACT TEST PROCEDURES
- TAS 202, CRITERIA FOR TESTING IMPACT & NON-IMPACT RESISTANT BUILDING ENVELOPE COMPONENTS USING UNIFORM STATIC AIR PRESSURE
- TAS 203, CRITERIA FOR TESTING PRODUCTS SUBJECT TO CYCLIC WIND PRESSURE LOADING

**LIMITS OF USE**

APPROVED FOR USE IN HVHZ: YES  
 APPROVED FOR USE OUTSIDE HVHZ: YES  
 IMPACT RESISTANT: YES  
 DESIGN PRESSURE: +50/-50 PSF  
 OTHER: NONE

**SAMPLE: 0A (TDS-S-KD-A-WS)**

**TIOGA DOORWAY SYSTEM - SINGLE - WINDSTORM ASSEMBLY**

- KNOCK-DOWN (KD) SYSTEM
  - HARDWARE SET A**
    - 1 CYLINDRICAL LOCK LC1200 SERIES, TELL MFG., INC.
    - 3 HINGES, H4545BBNRP, TELL MFG., INC.
    - 1 THRESHOLD, 1/2" HIGH ALUMINUM
    - 1 SET KERF WEATHERSTRIPPING
    - 1 DOOR SWEEP, DT100101, TELL MFG., INC.

**SAMPLE: 0B (TDS-S-KD-B-WS)**

**TIOGA DOORWAY SYSTEM - SINGLE - WINDSTORM ASSEMBLY**

- KNOCK-DOWN (KD) SYSTEM
  - HARDWARE SET B**
    - 1 MORTISE LOCK, ML1300 SERIES, TELL MFG., INC.
    - 3 HINGES, H4545BBNRP, TELL MFG., INC.
    - 1 THRESHOLD, 1/2" HIGH ALUMINUM
    - 1 SET KERF WEATHERSTRIPPING
    - 1 DOOR SWEEP, DT100101, TELL MFG., INC.

**SAMPLE: 0C (TDS-S-KD-C-WS)**

**TIOGA DOORWAY SYSTEM - SINGLE - WINDSTORM ASSEMBLY**

- KNOCK-DOWN (KD) SYSTEM
  - HARDWARE SET C**
    - 1 RIM PANIC DEVICE, 9500 SERIES, TELL MFG., INC.
    - 3 HINGES, H4545BBNRP, TELL MFG., INC.
    - 1 THRESHOLD, 1/2" HIGH ALUMINUM
    - 1 SET KERF WEATHERSTRIPPING
    - 1 DOOR SWEEP, DT100101, TELL MFG., INC.

**SAMPLE: 10A (TDS-S-PA-A-WS)**

**TIOGA DOORWAY SYSTEM - SINGLE - WINDSTORM ASSEMBLY**

- PRE-ASSEMBLED (PA) SYSTEM
  - HARDWARE SET A**
    - SAME AS 0A

**SAMPLE: 10B (TDS-S-PA-B-WS)**

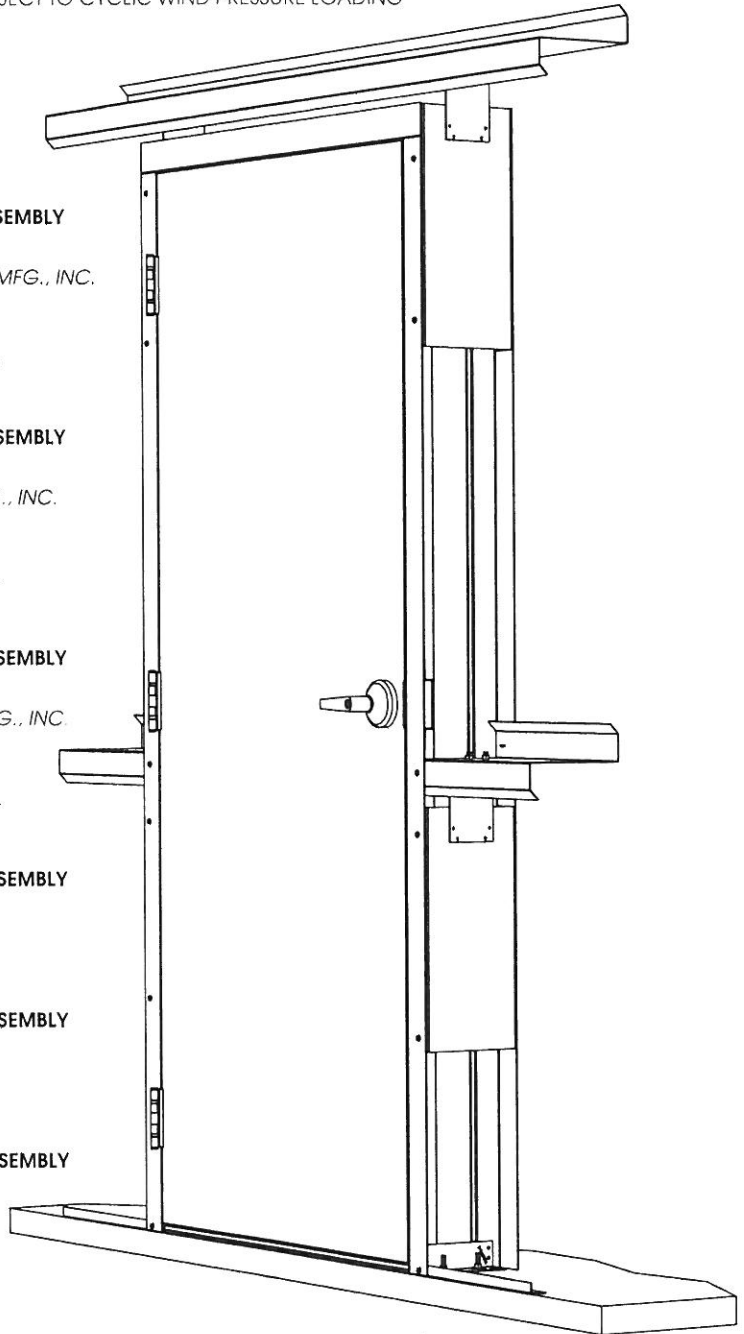
**TIOGA DOORWAY SYSTEM - SINGLE - WINDSTORM ASSEMBLY**


- PRE-ASSEMBLED (PA) SYSTEM
  - HARDWARE SET B**
    - SAME AS 0B

**SAMPLE: 10C (TDS-S-PA-C-WS)**

**TIOGA DOORWAY SYSTEM - SINGLE - WINDSTORM ASSEMBLY**

- PRE-ASSEMBLED (PA) SYSTEM
  - HARDWARE SET C**
    - SAME AS 0C



APPLICATION		DIMENSIONS ARE IN INCHES TOLERANCES PER SDI-117 FRACTIONAL ±1/16" ANGULAR MACH ±1° BEND ±1° TWO PLACE DECIMAL ±06" THREE PLACE DECIMAL ±031" UNLESS OTHERWISE NOTED	NAME	DATE	 <p><b>Tell DOORS &amp; WINDOWS, LLC.</b> 2505 West 11th Street Houston, TX 77008 phone: 800-433-4047 fax: 713-683-8695 web: www.tellmfg.com</p>	
NEXT ASSEMBLY	USED ON		DRAWN	JSolomon		3/25/2010
TBD	TBD		CHECKED			
			ENG APPR			
PROPRIETARY AND CONFIDENTIAL THE INFORMATION CONTAINED IN THIS DRAWING IS THE SOLE PROPERTY OF TELL DOORS & WINDOWS, LLC. ANY REPRODUCTION IN PART OR AS A WHOLE WITHOUT THE WRITTEN PERMISSION OF TELL DOORS & WINDOWS, LLC IS PROHIBITED.		MATERIAL	Q A		PART DESCRIPTION	
	PER DETAIL	COMMENTS	1 REMOVE ALL BURRS AND SHARP EDGES 2 DIMENSIONS IN ( ) ARE REFERENCE ONLY AND TRIALS SHOULD BE COMPLETED TO ESTABLISH REQUIRED BEND ALLOWANCE		TIOGA DOORWAY SYSTEM - SINGLE WINDSTORM ASSEMBLY	
GAGE	PER DETAIL	SIZE	PART NO	DWG NO	REV	
FINISH	PER ORDER	A	TDS-S-WS	TDS-WS-01	0	
		SCALE	NTS	WEIGHT	SHEET 1 OF 32	

**TIOGA™ DOORWAY SYSTEMS - DOUBLE- WINDSTORM ASSEMBLIES (TDS-D-WS)**

THE FOLLOWING DOOR, FRAME AND HARDWARE SYSTEMS ARE DESIGNED TO MEET THE REQUIREMENTS OF:

- TAS 201, IMPACT TEST PROCEDURES
- TAS 202, CRITERIA FOR TESTING IMPACT & NON-IMPACT RESISTANT BUILDING ENVELOPE COMPONENTS USING UNIFORM STATIC AIR PRESSURE
- TAS 203, CRITERIA FOR TESTING PRODUCTS SUBJECT TO CYCLIC WIND PRESSURE LOADING

**LIMITS OF USE**

APPROVED FOR USE IN HVHZ: YES  
 APPROVED FOR USE OUTSIDE HVHZ: YES  
 IMPACT RESISTANT: YES  
 DESIGN PRESSURE: +50/-50 PSF  
 OTHER: NONE

**SAMPLE: 20 (TDS-D-KD-D-WS)**

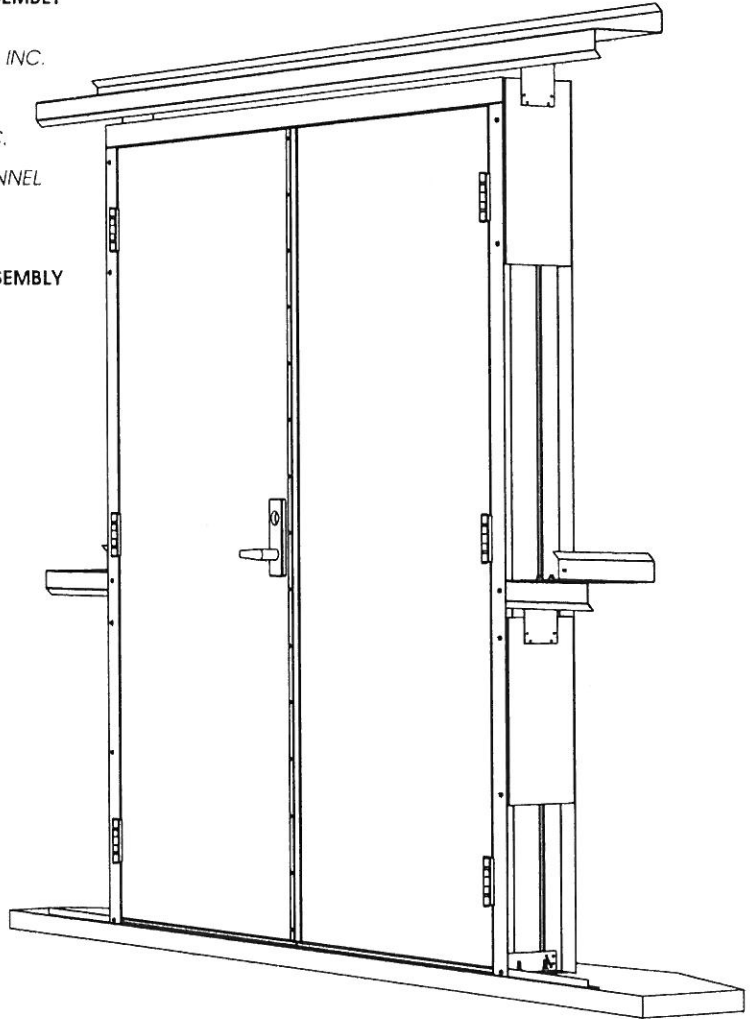
**TIOGA DOORWAY SYSTEM - DOUBLE - WINDSTORM ASSEMBLY**


- KNOCK-DOWN (KD) FRAME
- **HARDWARE SET D**
  - 1 MORTISE LOCK, ML1300 SERIES, TELL MFG., INC.
  - 6 HINGES, H4545BBNRP, TELL MFG., INC.
  - 1 THRESHOLD, 1/2" HIGH ALUMINUM
  - 1 SET KERF WEATHERSTRIPPING
  - 2 SURFACE BOLTS, 988Y, YALE SECURITY, INC.
  - 2 DOOR SWEEP, DT100101, TELL MFG., INC.
  - 1 TWO PIECE STEEL ASTRAGAL / EDGE CHANNEL

**SAMPLE: 30 (TDS-D-PA-D-WS)**

**TIOGA DOORWAY SYSTEM - DOUBLE - WINDSTORM ASSEMBLY**

- PRE-ASSEMBLED (PA) UNIT
- **HARDWARE SET D**
  - HARDWARE SAME AS 20



APPLICATION		DIMENSIONS ARE IN INCHES TOLERANCES PER SDI-117 FRACTIONAL ±1/16" ANGULAR MACH ±1° BEND ±1° TWO PLACE DECIMAL ±.06" THREE PLACE DECIMAL ±.031" UNLESS OTHERWISE NOTED	NAME	DATE	 <p><b>Tell DOORS &amp; WINDOWS, LLC.</b>                  2505 West 11th Street                  Houston, TX 77008                  phone: 800-433-4047                  fax: 713-683-8695                  web: www.tellmfg.com</p>	
NEXT ASSEMBLY	USED ON		DRAWN	J.Solomon		3/25/2010
TBD	TBD		CHECKED			
			ENG APPR			
PROPRIETARY AND CONFIDENTIAL		MATERIAL	Q.A.		PART DESCRIPTION TIOGA DOORWAY SYSTEM - DOUBLE WINDSTORM ASSEMBLY	
THE INFORMATION CONTAINED IN THIS DRAWING IS THE SOLE PROPERTY OF TELL DOORS & WINDOWS, LLC. ANY REPRODUCTION IN PART OR AS A WHOLE WITHOUT THE WRITTEN PERMISSION OF TELL DOORS & WINDOWS, LLC. IS PROHIBITED.		PER DETAIL	COMMENTS			
		GAGE	1 REMOVE ALL BURRS AND SHARP EDGES			
		PER DETAIL	2 DIMENSIONS IN ( ) ARE REFERENCE ONLY AND TRIALS SHOULD BE COMPLETED TO ESTABLISH REQUIRED BEND ALLOWANCE			
		FINISH				
		PER ORDER	SIZE	PART NO	DWG. NO.	REV
			A	TDS-D-WS	TDS-WS-01	0
			SCALE: NTS	WEIGHT	SHEET 24 OF 32	