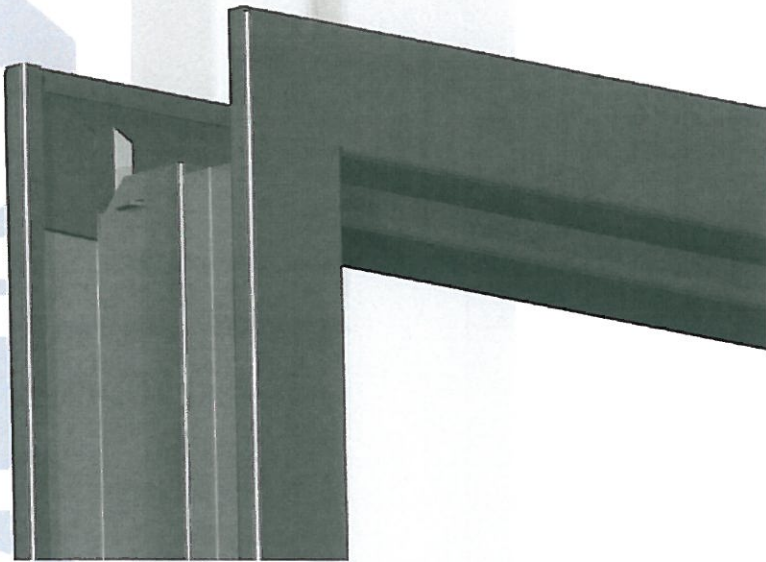


## DRYWALL FRAMES (DW)

### STANDARD FEATURES:

All **SPARTAN DRYWALL FRAMES** come with adjustable compression anchors in each jamb. These anchors provide a tight rigid fit in the opening.

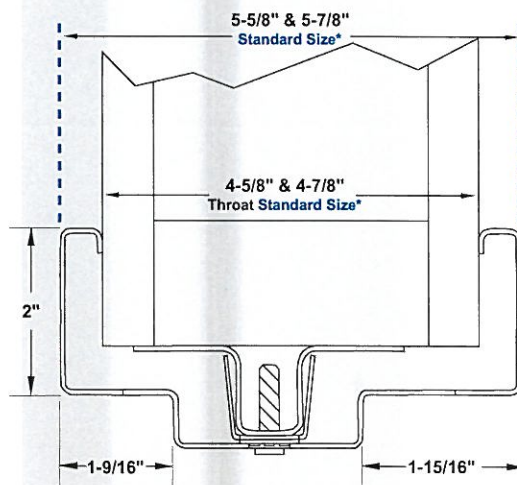
- 16 gauge for 1-3/4" doors
- Precision fitted corners
- Galvannealed (standard)
- 7 gauge hinge reinforcements
- Heavy duty strike reinforcements
- Fire rated up to 1.5 hours
- Meets ANSI standards
- Universal 4 1/2" hinge prep



### COMPRESSION ANCHOR



### TYPICAL WALL CONSTRUCTION UNEQUAL RABBET FRAME



\*CUSTOM SIZES UPON REQUEST

**Door Worx 2009**

**CORPORATE HEADQUARTERS:** 18 Richard Drive, Lititz, PA 17543 . **PHONE** 1-717-735-6770 . **FAX** 1-717-626-5652

**OTHER REGIONAL OFFICES:** INDIANA

[www.doorworx.com](http://www.doorworx.com)

**PAGE 6**