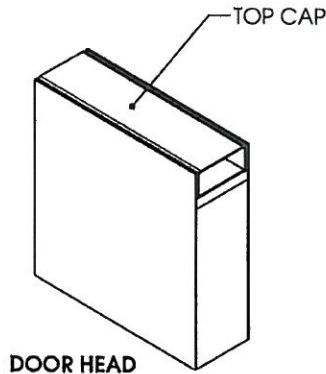
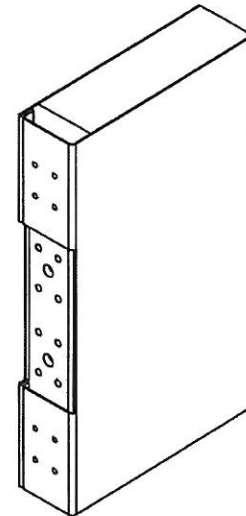


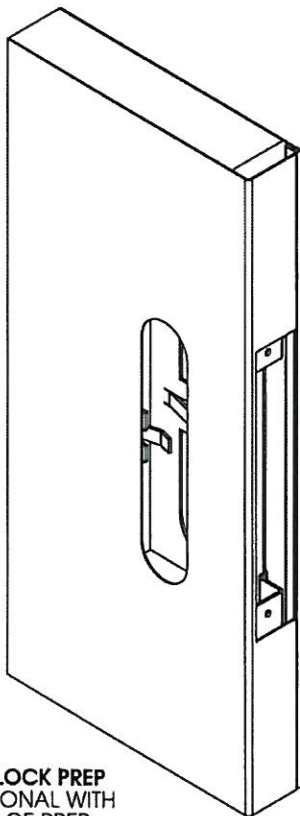
161L LOCK PREP



DOOR HEAD



HINGE PREP



86 LOCK PREP  
OPTIONAL WITH  
FACE PREP

**GENERAL NOTES:**

1. Edge construction:
  - Vertical edges (both hinge and lock) are square with a visible seam.
  - Top and bottom edges are closed with inverted 18-gage welded channels. Exterior applications require the addition of snap-in top caps to protect against the weather.
2. Optional cores available in the Spartan Series door construction:
  - Polystyrene for exterior applications in extreme weather conditions.
  - Polyurethane for exterior applications in arctic weather conditions. Not Fire Rated.
3. Standard hardware preparations: standard mortised and reinforced for:
  - Universal hinge preps - 4 1/2" (114mm) patented preparation which allows easy and quick field conversion from standard to heavy weight hinges.
  - Locks - A multitude of standard lock preps are available. The most commonly used with a 47/8" (124mm) strike are 161, 61L and 86.

**INSTALLATION:**

1. Installation shall conform to the published installation instructions, SDI 105 Recommended Installation Instructions for Steel Frames, and ANSI/DHI A115-IG Installation Guide for Doors and Hardware.
2. Fire Rated Assemblies must be in accordance with NFPA Pamphlet 80. The Authority Having Jurisdiction is the final authority in issues related to the installation and use of installed Fire Rated Doors.

**PROPRIETARY AND CONFIDENTIAL**

THIS INFORMATION IS THE SOLE PROPERTY OF TELL DOORS & WINDOWS, LLC. ANY REPRODUCTION IN PART OR AS A WHOLE WITHOUT THE WRITTEN PERMISSION OF TELL DOORS & WINDOWS, LLC. IS PROHIBITED.

**Door Worx 2010**

**CORPORATE HEADQUARTERS:** 18 Richard Drive, Lititz, PA 17543 . **PHONE** 1-717-735-6770 . **FAX** 1-717-626-5652

**OTHER REGIONAL OFFICES:** INDIANA

[www.doorworx.com](http://www.doorworx.com)