

900 SERIES

HEAVY-DUTY COMMERCIAL GRADE 1 SURFACE APPLIED CLOSERS



STANDARD FEATURES

PERFORMANCE	Complies with ANSI A156.4, Grade 1, 2 million cycles, UL listed
CHASSIS/CLOSER	Non-handed, cast steel, mounting to regular, top jamb or parallel arm applications
MAIN ARM	Forged steel, accommodates reveals up to 3 1/4", adjustable extension arm
SPRING POWER	Adjustable 1 - 6 sizes
BACKCHECK	Adjustable, hydraulic - providing cushioning and preventing uncontrolled openings of the door
VALVES	Adjustable, independent, non-critical (sweep and latch), consistent closing speeds
FASTENERS	Compatible for aluminum, hollow metal and wood doors and frames
DOOR RANGE	Up to 180 degrees
DOOR PREPARATION	5" horizontal and 2-1/4" vertical mounting hole locations (retrofits traditional closer) Warranty 25 year limited

OPTIONAL FEATURES

COVERS	High impact plastic and plated kit: cover, arm & bracket
OTHER FEATURES	Refer to "Accessories" pages for more optional features

Door Worx 2011

CORPORATE HEADQUARTERS: 18 Richard Drive, Lititz, PA 17543 . PHONE 1-717-735-6770 . FAX 1-717-626-5652

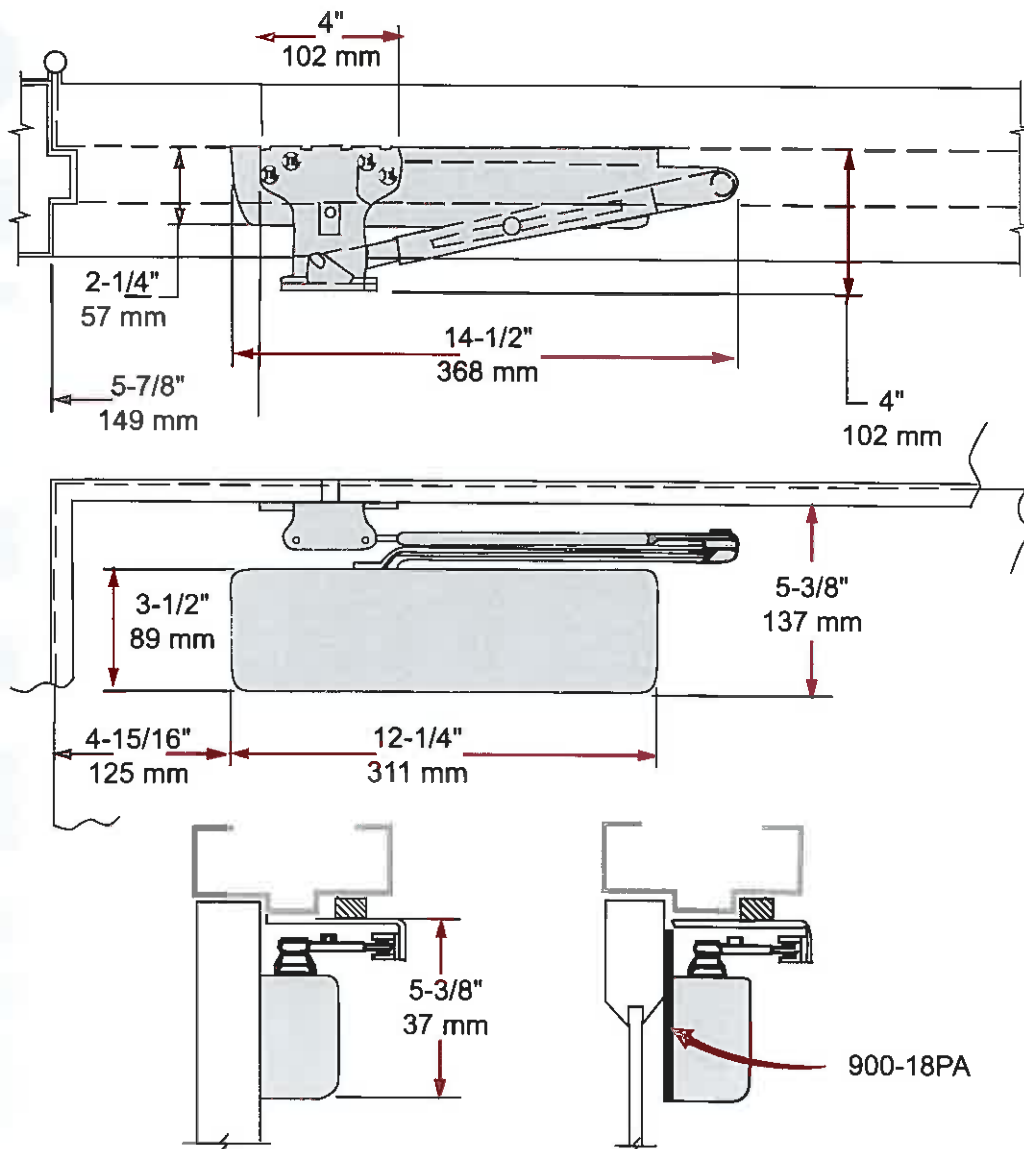
OTHER REGIONAL OFFICES: INDIANA

www.doorworx.com

PAGE 32

900 SERIES APPLICATION DRAWINGS

PARALLEL ARM (PUSH SIDE) MOUNTING



Door Worx 2011

CORPORATE HEADQUARTERS: 18 Richard Drive, Litz, PA 17543 . PHONE 1-717-735-6770 . FAX 1-717-626-5652

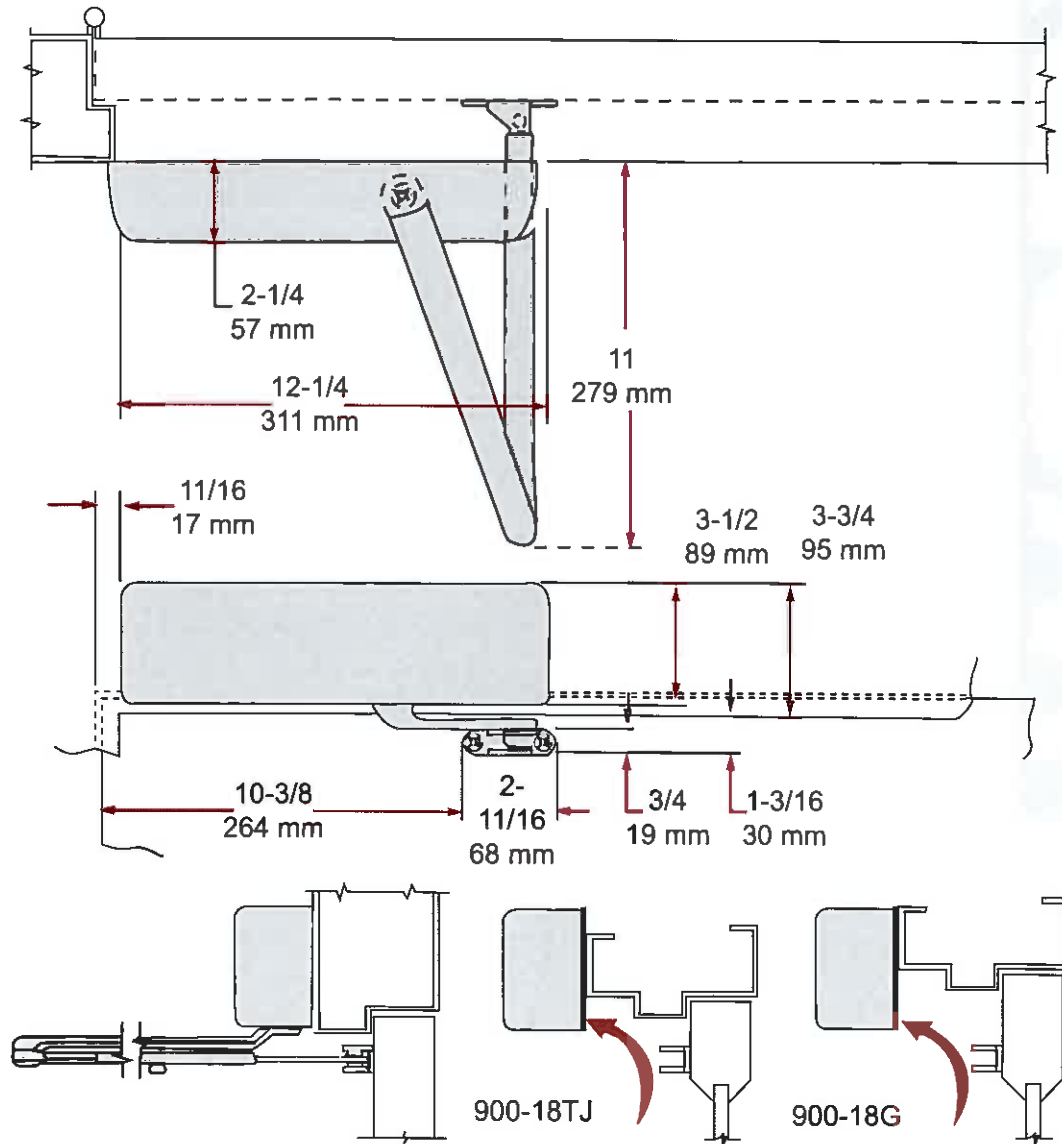
OTHER REGIONAL OFFICES: INDIANA

www.doorworx.com

PAGE 33

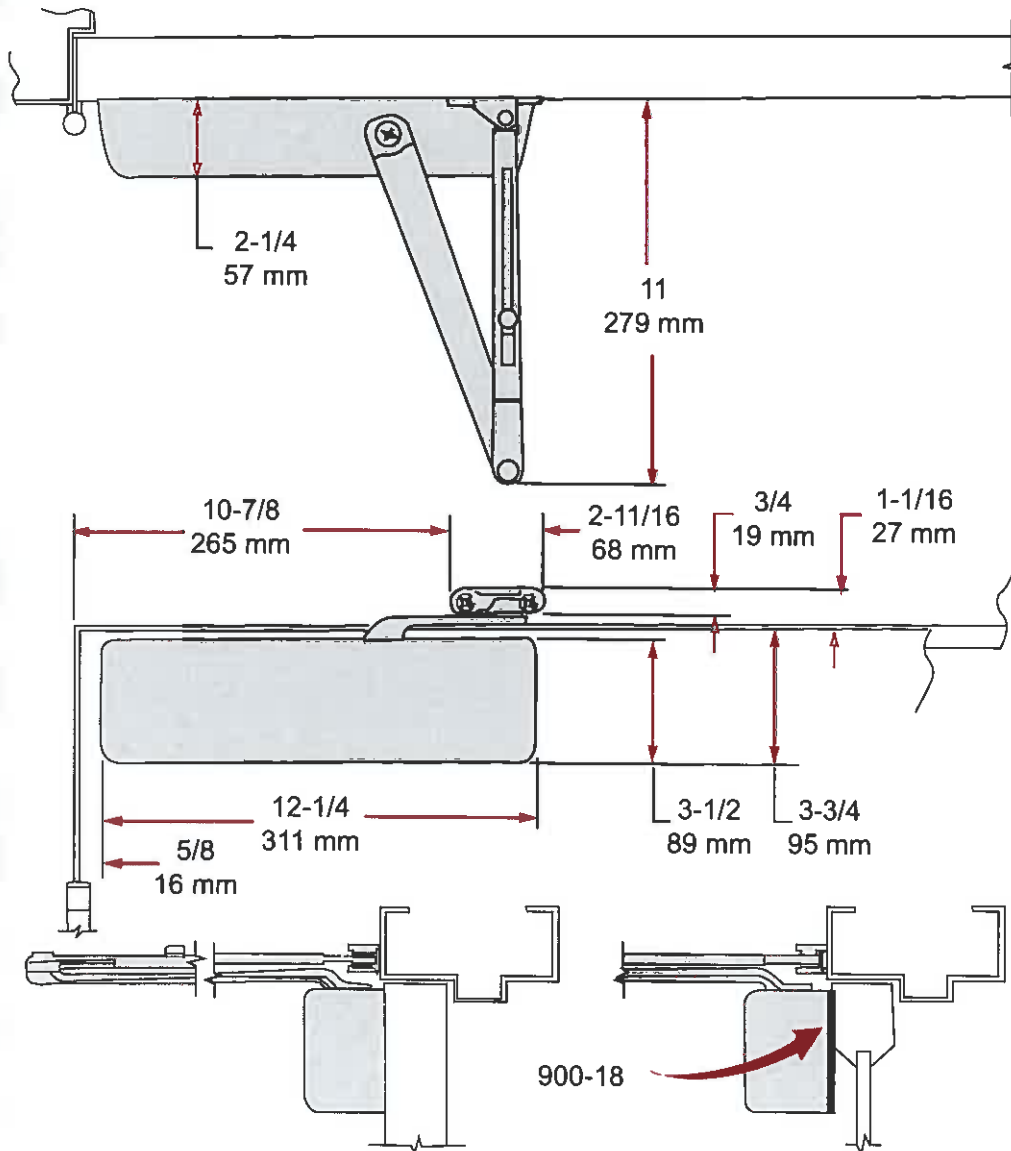
900 SERIES APPLICATION DRAWINGS

TOP JAMB (PUSH SIDE) MOUNTING



900 SERIES APPLICATION DRAWINGS

REGULAR (PULL SIDE) MOUNTING



900 SERIES STANDARD FEATURE

COVER

Standard, non-handed high impact plastic cover.
Available for all painted finishes.



900 SERIES ARM OPTIONS

REGULAR ARM

DC100191 (AL)

DC100212 (Duro)

Non-handed arm used to mount for regular, top jamb and with parallel arm bracket. Solid steel forged main arm with slide connecting arm to handle reveals up to 3-1/4" inches



HOLD OPEN, (HO)

DC100138 (AL)

DC100139 (Duro)

Optional, non-handed hold open arm and can be mounted regular, top jamb and parallel arm*.

*PA bracket optional



HEAVY DUTY PARALLEL ARM, (SP)

DC100124 (AL)

DC100144 (Duro)

Optional, non-handed heavy-duty parallel arm features forged steel main arm and forearm for abusive conditions.



NOTE: AL=Aluminum, Duro=Duronodic

Door Worx 2011

CORPORATE HEADQUARTERS: 18 Richard Drive, Litz, PA 17543 . **PHONE** 1-717-735-6770 . **FAX** 1-717-626-5652

OTHER REGIONAL OFFICES: INDIANA

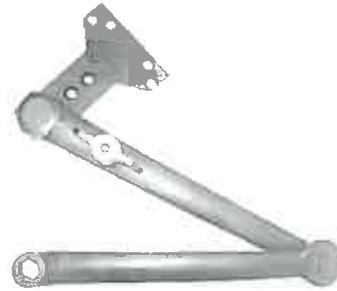
www.doorworx.com

PAGE 36

900 SERIES ARM OPTIONS

**HEAVY DUTY PARALLEL HOLD OPEN
ARM, (SPH)
DC100125 (AL)
DC100143 (Duro)**

Optional, handed hold open heavy-duty parallel arm features forged steel main arm and forearm for abusive conditions.



**HEAVY DUTY DEAD STOP ARM, (DS)
DC100193 (AL)**

Optional, non-handed heavy-duty parallel arm features forged steel main arm and forearm with positive dead stop built into soffit plate.



**HEAVY DUTY DEAD STOP HOLD
OPEN ARM, (DSH)
DC100181 (AL)
DC100190 (Duro)**

Optional, handed hold open heavy duty parallel arm features forged steel main arm and forearm with positive dead stop built into soffit plate.



900 SERIES OPTIONS

**PLATED KIT
DC100184 (US3)
DC100185 (US26)
DC100200 (US26D)
DC100202 (US4)**

Optional Plated Kit includes non-handed full metal cover, regular arm, parallel arm bracket and all fasteners in matching plated finish



NOTE: AL=Aluminum, Duro=Duronodic, US3=Bright Brass,
US26=Bright Chrome, US26D=Satin Chrome, US4=Satin Brass

Door Worx 2011

CORPORATE HEADQUARTERS: 18 Richard Drive, Lilitz, PA 17543 . PHONE 1-717-735-6770 . FAX 1-717-626-5652

OTHER REGIONAL OFFICES: INDIANA

www.doorworx.com

PAGE 37

900 SERIES ACCESSORIES

PA SHOE BRACKET, (PABKT)

DC100213 (Duro)

Used when mounting parallel arm with 900 regular arm
and 900 HO arm.



PHO "L" BRACKET

DC100225 (AL)

Used when mounting parallel arm or friction hold open (FHO) arm.



SEX NUTS: SNB1

DC100094 (AL)

DC100095 (Duro)

DC100096 (Gold)

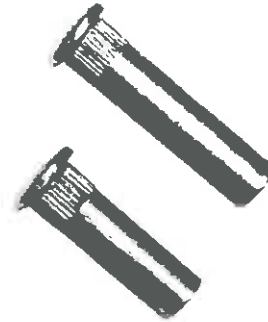
SNB2

DC100089 (AL)

DC100203 (Duro)

Sex nuts for 1-3/4" thick doors (SNB1)

Sex nuts for 1-3/8" thick doors (SNB2)



TOP JAMB DROP PLATE

DC100210 (AL)

Optional drop plate to mount closer on top jamb
application where ceiling is flush with top of frame.

Requires minimum 1-3/4" frame face



PA DROP PLATE

DC100141 (AL)

DC100140 (Duro)

Optional drop plate to mount closer parallel arm where top rail
of door is less than 5-1/2" measured from the stop. Minimum
top rail on door of 2" required.



REGULAR MOUNT PLATE

DC100126 (AL)

DC100142 (Duro)

Optional backplate for hinge side regular mount where top
rail is less than 3-3/4". Plate regular minimum 2" top rail.



NOTE: AL=Aluminum, Duro=Duronodic

Door Worx 2011

CORPORATE HEADQUARTERS: 18 Richard Drive, Liliz, PA 17543 . **PHONE** 1-717-735-6770 . **FAX** 1-717-626-5652

OTHER REGIONAL OFFICES: INDIANA

www.doorworx.com

PAGE 38

900 SERIES CROSS REFERENCE

TELL	CAL-ROYAL	DORMA	GLOBAL	LCN	NORTON	SARGENT	YALE
900	CR441*	8916 AF	TC4300*	4040*	7500	281	4400

NOTE: This chart has been prepared by comparing functions of door closers. Since no products are exactly alike, the data on this chart represents our judgement of which products are most similar. Because information has been obtained from trade sources, it is not guaranteed nor represented that any specific product exactly equals any other product.

* RETROFIT INSTALLATION HOLE FOR HOLE

900 SERIES DOOR SIZING CHART

		DOOR WIDTH						
		24" min. 610mm	30" max. 762mm	36" max. 914mm	42" max. 1067mm	48" max. 1219mm	54" max. 1372mm	60" max. 1523mm
CLOSER 900	Interior	✓	✓	♿	♿	✓	✓	✓
	Exterior	✓	✓	♿	✓	✓	N/A	N/A

✓ = Recommended

N/A = Not applicable or recommended

♿ = Opening force 5 lbs. on Interior and 8.5 lbs. on exterior doors

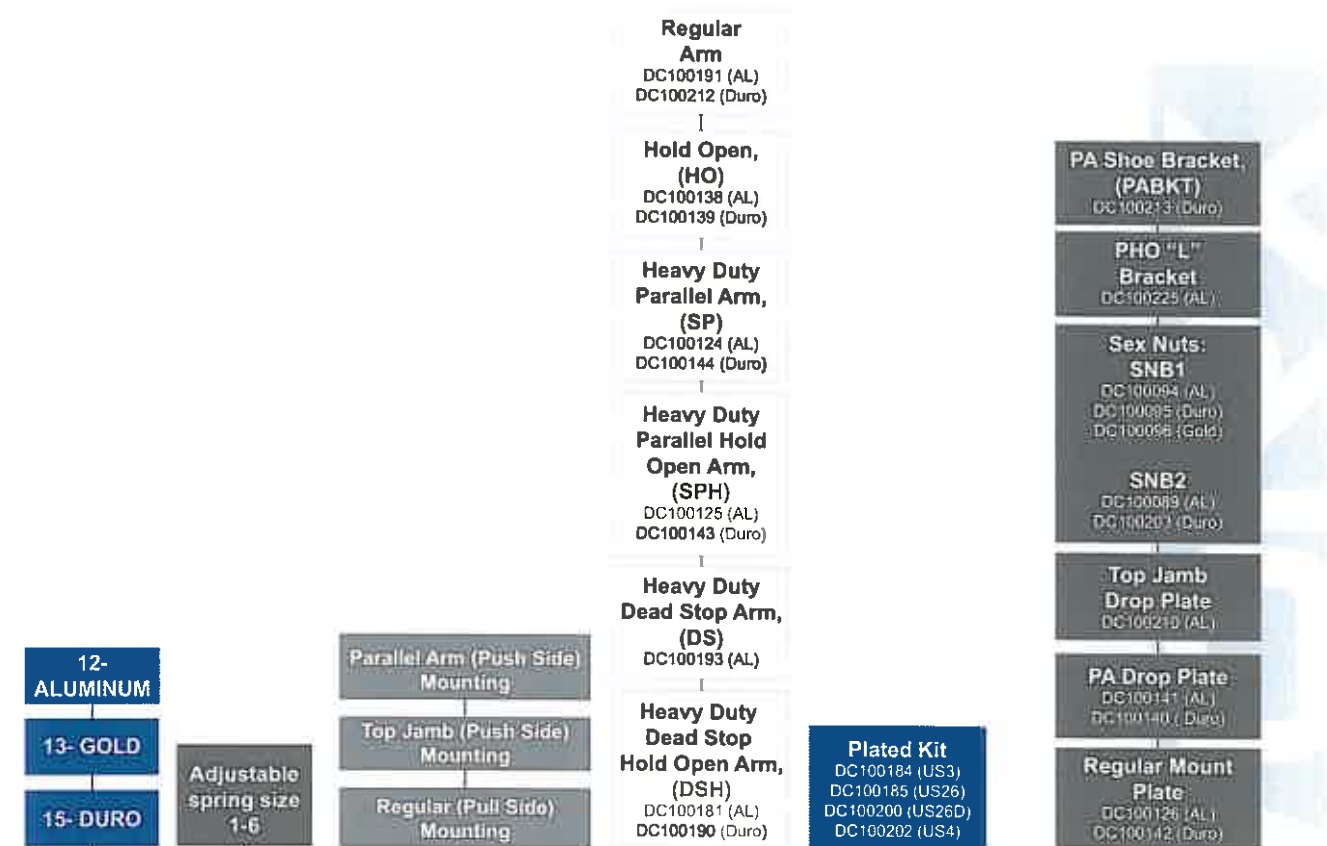
Door Worx 2011

CORPORATE HEADQUARTERS: 18 Richard Drive, Lititz, PA 17543 . PHONE 1-717-735-6770 . FAX 1-717-626-5652

OTHER REGIONAL OFFICES: INDIANA

www.doorworx.com

HOW TO ORDER 900 SERIES



FINISH	SIZE	APPLICATION	ARM	OPTION	ACCESSORIES
Example: 12916	Example: 12916	Example: 12916 PA	Example: 12916BC... REG	Example: 12916BC... x PLATED KIT	Example: 12916BC... x PABKT
Example: 13916		Example: 12916 TJ	Example: 12916BC... x HO		Example: 12916BC... x SNB1
Example: 15916		Example: 12916 REG	Example: 12916BC... SP		Example: 12916BC... x TJDP
			Example: 12816BC... x SPH		Example: 12916BC... x PA DP
			Example: 12916BC... DS		Example: 12916BC... x REG
			Example: 12916BC... x DSH		

900 Series Example:
12916 BC TOPJAMB PHO COVER DROP PLATE SN1